



PARTS CATALOGUE

YQ50 (3C61) AUSTRALIA

YQ50 (3C61) EUROPE

YQ50 (3C63) ISRAEL

YQ50 (3C63) SWITZERLAND

YQ50
PARTS CATALOGUE
©2005 by MBK Industrie
1st edition, December 2005
All rights reserved.
Any reprinting or unauthorized use
without the written permission of
MBK Industrie
is expressly prohibited.

A3

FOREWORD

This Parts Catalogue is related to the parts for the model(s) on the cover page. When you are ordering replacement parts, please refer to this Parts Catalogue and quote both part numbers and part names correctly.

1. Modifications or additions which have been made after the issue of the Parts Catalogue will be announced in the Parts News.

It is advisable that you make the necessary corrections to the Parts Catalogue according to the Parts News.

2. Abbreviations

The following abbreviations are used in this Parts Catalogue.

“UR” Use specified parts number.

“UN” Use as many as needed.

“AP” Alternate Parts

“LM” Locally Made (Parts need to be ordered locally)

“F#” Frame No. (Applicable machine No.)

“O/S” Over Size

3. The number of components for assembly

- Parts, which are to be supplied in an assembly, are listed with a dot (.) in front of the part name as shown below.
- The numeral appearing to the right of each component part indicates the quantity of parts for each assembly unit.

PART NO.	DESCRIPTION	Q'TY	REMARKS
2F5-83310-60	FRONT FLASHER LIGHT ASSY	2	
115-83311-60	.BULB (6V-18W)	1	

4. Applicable colours of graphics are represented in the “REMARKS” as shown below.

PART NO.	DESCRIPTION	Q'TY	REMARKS
2N4-24110-00-X5	FUEL TANK COMP.	2	MXR
3J1-24240-10	.GRAPHIC, FUEL TANK	1	FOR MXR

5. Note that the illustrations for reference in finding parts numbers are not to be used for assembling. When assembling, please use the applicable service manual.

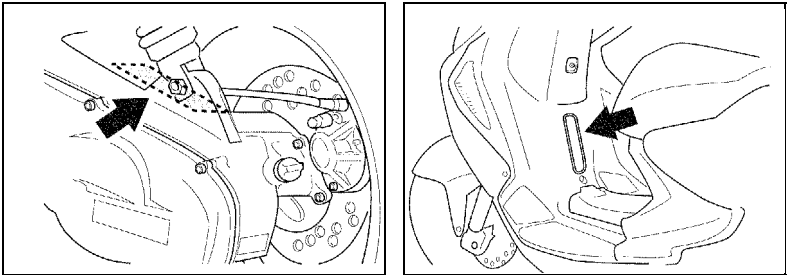
6. The asterisk (*) before a reference number indicates modified items after the first edition.

FOREWORD

7. Applicable Serial No.

Engine Serial No.

Frame Serial No.



8. Applicable Colour Code (The (*) mark shows Model colour.)

Abbreviation	Colour Name	Colour Code
DPBMC(*)	DEEP PURPLISH BLUE METALLIC C	0564
LNMR(*)	LIGHT GRAY METALLIC R	0929
MBL2	MAT BLACK 2	0582
NP	NO PAINT	0000
SMX(*)	BLACK METALLIC X	0903

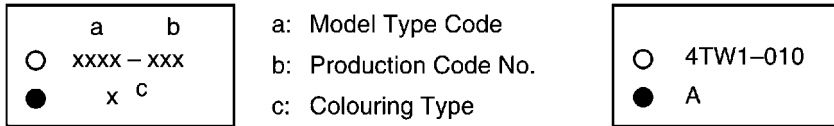
9. Quantity Column Information

Column No.	Name Of Q'ty Column	Destination
1	01	3C61-10-20-30-40-70-80-90-100
2	02	3C61-050
3	03	3C61-060
4	04	3C61-110
5	05	3C63-010-020

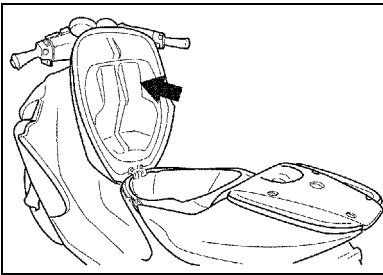
MODEL LABEL

(1) A label called "Model Label" is affixed in the location as indicated in (3) below. When using this parts catalogue, please be sure to cross-reference the "model code – production code No." in the catalogue with the "model code – production code No." indicated on the Model Label affixed onto the product concerned.

(2) "Model Label" Indication



(3) Model Label Affixing Location



(4) Colouring Information

Model Code	Colouring Type Code	Colour Code	Colour Name	Abbreviation
3C61	A	0564	DEEP PURPLISH BLUE METALLIC C	DPBMC
	B	0929	LIGHT GRAY METALLIC R	LNMR
	C	0903	BLACK METALLIC X	SMX
3C63	A	0564	DEEP PURPLISH BLUE METALLIC C	DPBMC
	B	0929	LIGHT GRAY METALLIC R	LNMR
	C	0903	BLACK METALLIC X	SMX

(5) Model Code – Production Code Number of Model Listed in This Parts Catalogue

Model Code	Production Code No.	Country (destination)	Model Code	Production Code No.	Country (destination)	
3C61	010	AUSTRIA				
		ITALY				
	020	GERMANY				
	030	FRANCE				
	040	SPAIN				
	050	UNITED KINGDOM				
	060	PORTUGAL				
	070	SWEDEN				
	080		CZECHO			
			FINLAND			
			GREECE			
			HUNGARY			
			IRELAND			
			POLAND			
	SLOVENIA					
090	NETHERLANDS					
100	BELGIUM					
110	AUSTRALIA					
3C63	010	SWITZERLAND				
	020	ISRAEL				

CONTENTS

ENGINE

CYLINDER HEAD	B2
CRANKSHAFT & PISTON	B3
WATER PUMP	B4
RADIATOR & HOSE	B5
OIL PUMP	B6
INTAKE	B7
INTAKE 2	B8
CARBURETOR	B9
CARBURETOR 2	B10
EXHAUST	B11
EXHAUST 2	B13
CRANKCASE	B14
STARTER	C2
CLUTCH	C3
TRANSMISSION	C5

CHASSIS

FRAME	C6
FRONT FENDER	C7
SIDE COVER	C8
OIL TANK	C10
REAR SUSPENSION	C11
FRONT FORK	C12
FUEL TANK	C14
SEAT & CARRIER	C15
FRONT WHEEL	D3
FRONT BRAKE CALIPER	D4
REAR WHEEL	D5
REAR BRAKE CALIPER	D6
STEERING HANDLE & CABLE	D7
FRONT MASTER CYLINDER	D8
STAND & FOOTREST	D9
REAR MASTER CYLINDER	D10
LEG SHIELD	D11
COWLING 1	D13
GENERATOR	D14
FLASHER LIGHT	D15
METER	E2
HEADLIGHT	E3
TAILLIGHT	E4
HANDLE SWITCH & LEVER	E5

ELECTRICAL 1	E6
ELECTRICAL 2	E7

INDEX

NUMERICAL INDEX	M1
-----------------------	----

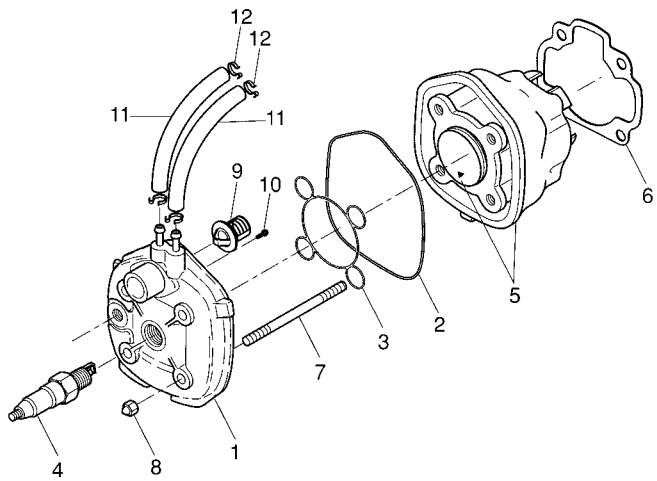


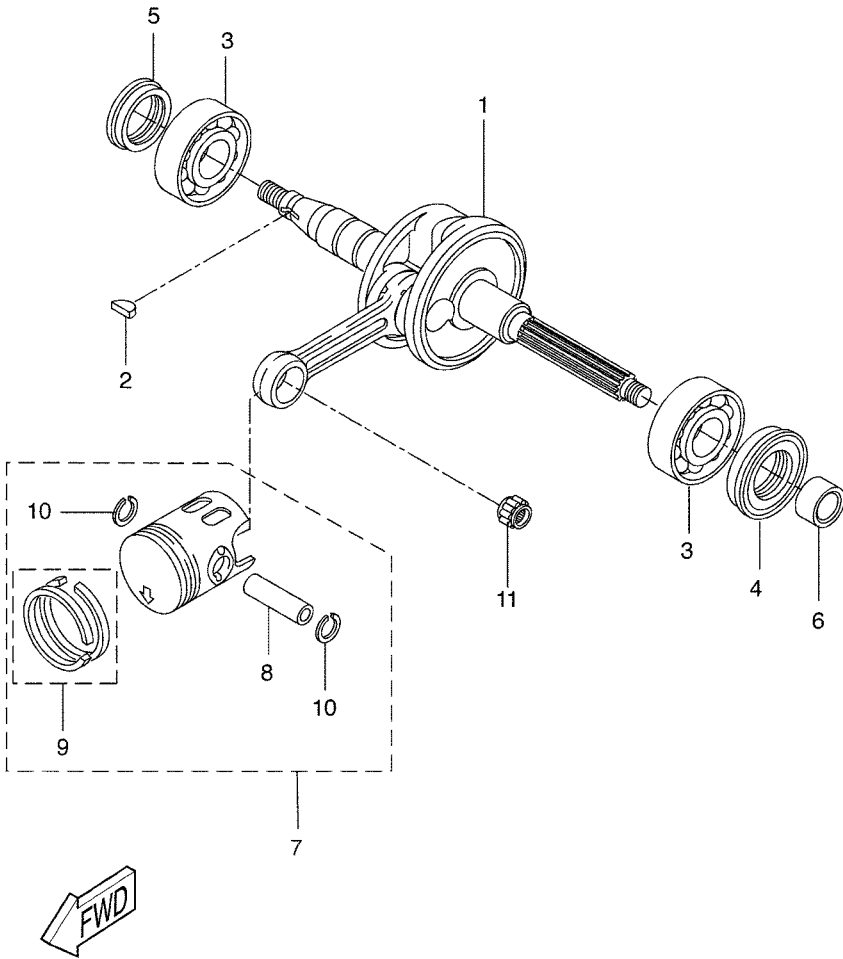
FIG. 1 CYLINDER HEAD

REF. NO.	PART NO.	DESCRIPTION	01	02	03	04	05	REMARKS
1	5HE-E1111-00	HEAD, CYLINDER 1	1	1	1	1	1	
2	5BR-E1194-00	GASKET, HEAD COVER 2	1	1	1	1	1	
3	5BR-E1193-00	GASKET, HEAD COVER 1	1	1	1	1	1	
4	94701-00195	PLUG, SPARK(NGK BR8HS)	1	1	1	1	1	
5	5BR-E1311-00	CYLINDER 1	1	1	1	1	1	
6	5BR-E1351-00	GASKET, CYLINDER	1	1	1	1	1	
7	90116-07353	BOLT, STUD	4	4	4	4	4	
8	90179-07381	NUT	4	4	4	4	4	
9	5BR-E2410-00	THERMOSTAT ASSY	1	1	1	1	1	
10	98907-04010	SCREW, BIND	2	2	2	2	2	
11	5BR-E4148-10	PIPE	2	2	2	2	2	
12	5BR-E4159-00	CLIP	4	4	4	4	4	



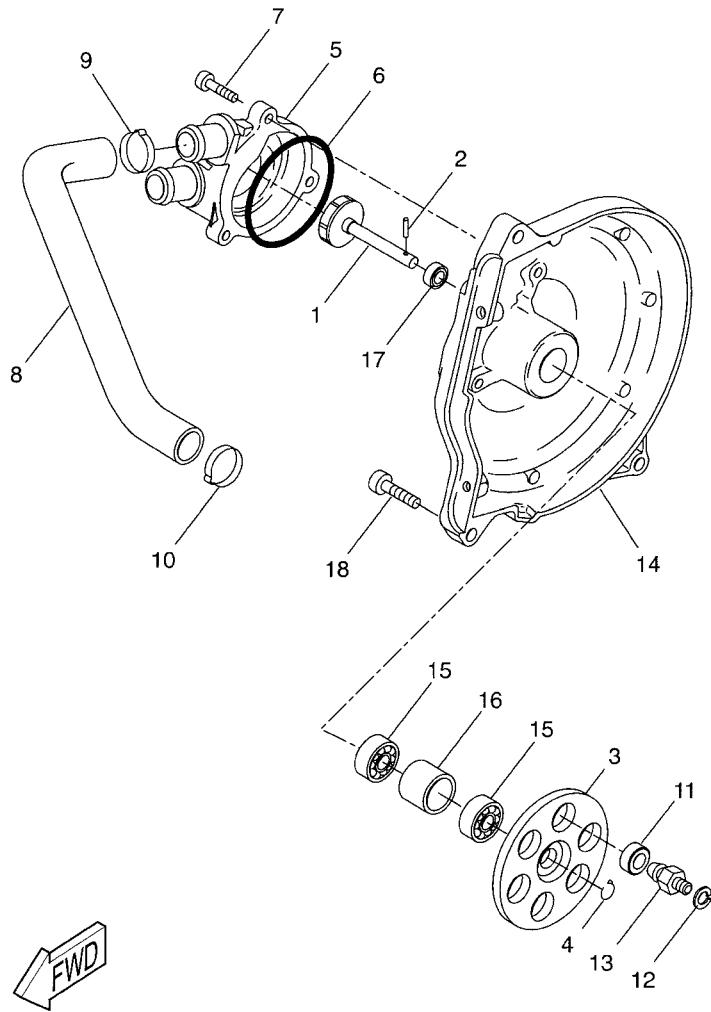
5BR1354-7010

FIG. 2 CRANKSHAFT & PISTON



5BR1354-7022

REF. NO.	PART NO.	DESCRIPTION	01	02	03	04	05	REMARKS
1	5WJ-E1400-00	CRANKSHAFT ASSY	1	1	1	1	1	
2	90280-03X00	KEY, WOODRUFF	1	1	1	1	1	
3	93306-204X7	BEARING	2	2	2	2	2	
4	93102-20425	OIL SEAL	1	1	1	1	1	
5	93101-20138	OIL SEAL	1	1	1	1	1	
6	90387-156U0	COLLAR	1	1	1	1	1	
7	5HE-E1631-00	PISTON (STD)	1	1	1	1	1	UR
	5HE-E1636-00	PISTON (0.50MM O/S)	1	1	1	1	1	UR
8	5PF-E1633-00	.PIN, PISTON	1	1	1	1	1	
9	4SB-E1603-00	.PISTON RING SET (STD)	1	1	1	1	1	UR
	4SB-E1605-00	.PISTON RING SET (0.50MM O/S)	1	1	1	1	1	UR
10	93450-11818	.CIRCLIP	2	2	2	2	2	
11	93310-210X4	BEARING	1	1	1	1	1	

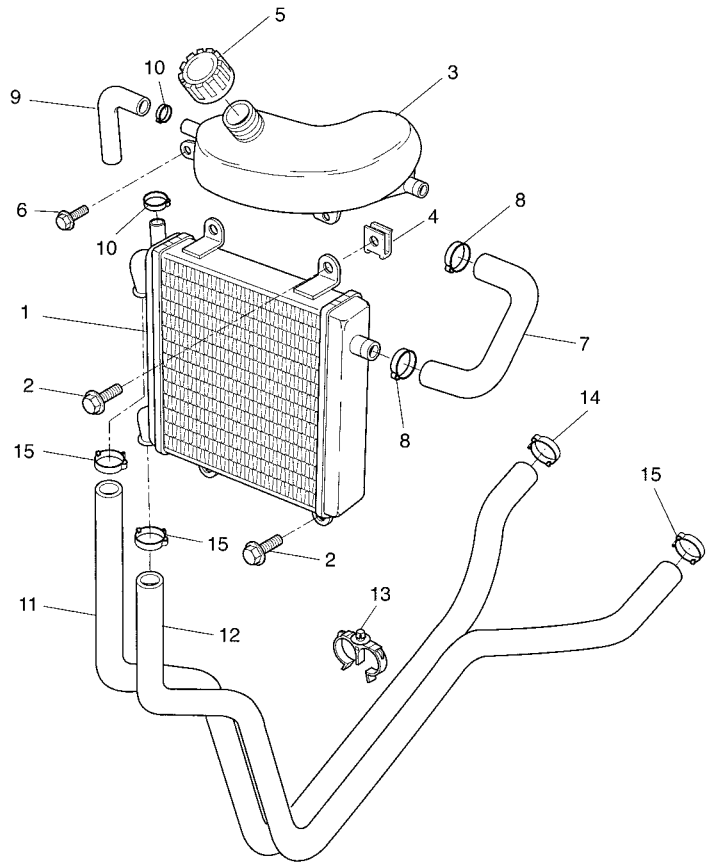


3C61300-D030



FIG. 3 WATER PUMP

REF. NO.	PART NO.	DESCRIPTION	01	02	03	04	05	REMARKS
1	5BR-E2450-00	IMPELLER SHAFT ASSY	1	1	1	1	1	
2	93603-22X00	PIN, DOWEL	1	1	1	1	1	
3	5BR-E2459-00	GEAR, IMPELLER SHAFT	1	1	1	1	1	
4	93440-08130	CIRCLIP	1	1	1	1	1	
5	5BR-E2422-00	COVER, HOUSING	1	1	1	1	1	
6	93210-548E8	O-RING	1	1	1	1	1	
7	91317-05020	BOLT	3	3	3	3	3	
8	5BR-E2483-00	PIPE 3	1	1	1	1	1	
9	90450-22X02	HOSE CLAMP ASSY	1	1	1	1	1	
10	90450-22X02	HOSE CLAMP ASSY	1	1	1	1	1	
11	90480-06874	GROMMET	3	3	3	3	3	
12	92990-06100	WASHER, SPRING	3	3	3	3	3	
13	90109-06X00	BOLT	3	3	3	3	3	
14	5BR-E5421-00	COVER, CRANKCASE 2	1	1	1	1	1	
15	93306-082Y0	BEARING	2	2	2	2	2	
16	90387-178S8	COLLAR	1	1	1	1	1	
17	93101-10842	OIL SEAL	1	1	1	1	1	
18	90110-06X04	BOLT, HEXAGON SOCKET HEAD	3	3	3	3	3	




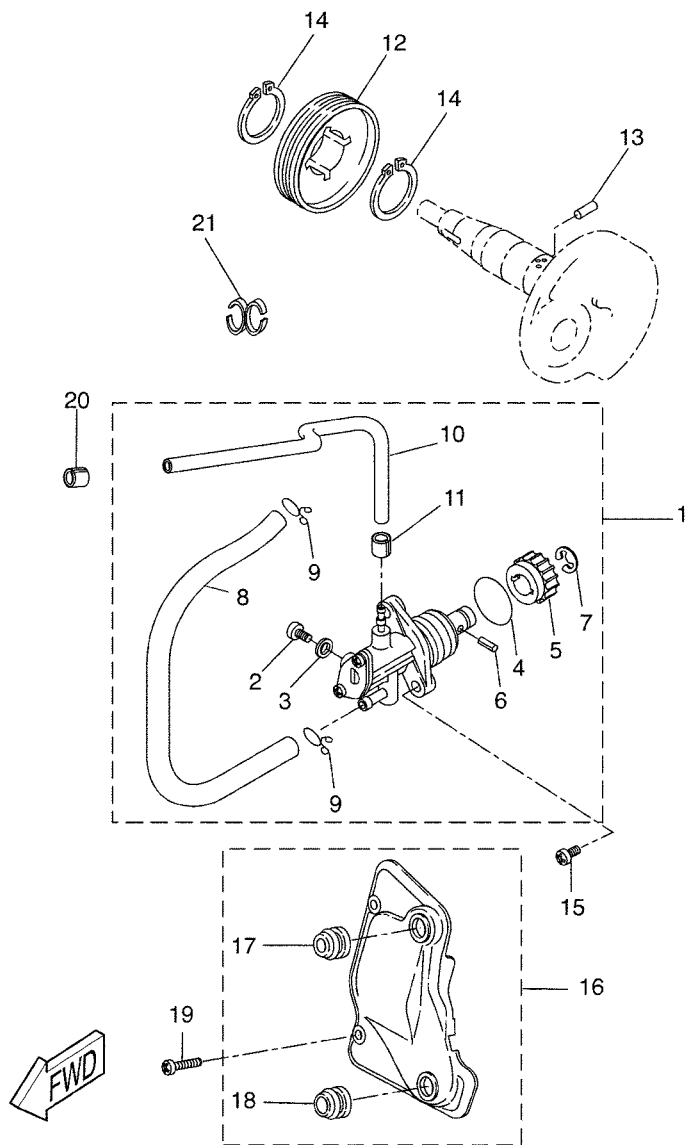

 5BR1354-7040

FIG. 4 RADIATOR & HOSE

REF. NO.	PART NO.	DESCRIPTION	01	02	03	04	05	REMARKS
1	5BR-E2460-01	RADIATOR ASSY	1	1	1	1	1	
2	90105-06841	BOLT, FLANGE	4	4	4	4	4	
3	5BR-E2490-01	TANK ASSY	1	1	1	1	1	
4	90183-06X00	NUT, SPRING	1	1	1	1	1	
5	5BR-E2567-01	CAP, WATER	1	1	1	1	1	
6	90105-06841	BOLT, FLANGE	1	1	1	1	1	
7	5BR-E243A-10	HOSE 1	1	1	1	1	1	
8	90467-17800	CLIP	2	2	2	2	2	
9	5BR-E2589-10	HOSE 6	1	1	1	1	1	
10	5BR-E2487-10	CLIP 2	2	2	2	2	2	
11	5BR-E2485-10	PIPE 5	1	1	1	1	1	
12	5BR-E2484-10	PIPE 4	1	1	1	1	1	
13	5BR-E2486-00	CLIP	1	1	1	1	1	
14	90450-23X01	HOSE CLAMP ASSY	1	1	1	1	1	
15	90450-21X01	HOSE CLAMP ASSY	3	3	3	3	3	

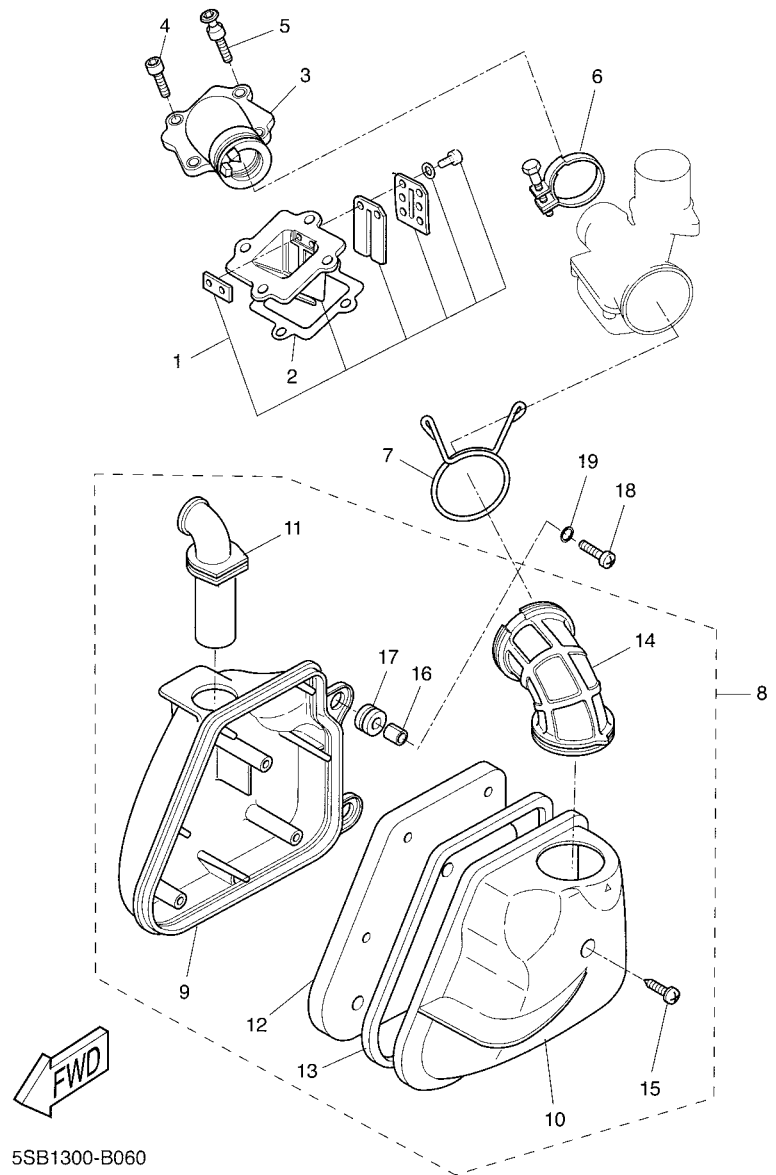
FIG. 5 OIL PUMP



5PU5352-1051

REF. NO.	PART NO.	DESCRIPTION	01	02	03	04	05	REMARKS
1	5PE-E3100-00	OIL PUMP ASSY	1	1	1	1	1	
2	1YU-13185-00	.BOLT, BREATHER	1	1	1	1	1	
3	1YU-13187-00	.GASKET, BREATHER BOLT	1	1	1	1	1	
4	1YU-13473-00	.O-RING	1	1	1	1	1	
5	3AA-13124-00	.GEAR WORM WHEEL (40T)	1	1	1	1	1	
6	1YU-13516-00	.PIN, DOWEL	1	1	1	1	1	
7	1YU-13577-00	.CLIP	1	1	1	1	1	
8	90445-096K0	.HOSE (L310)	1	1	1	1	1	
9	90467-08003	.CLIP	2	2	2	2	2	
10	90445-05431	.HOSE (L240)	1	1	1	1	1	
11	90468-02033	.CLIP	1	1	1	1	1	
12	3VL-E3178-00	GEAR, PUMP DRIVE	1	1	1	1	1	
13	93603-12007	PIN, DOWEL	1	1	1	1	1	
14	99009-19400	CIRCLIP	2	2	2	2	2	
15	98507-05014	SCREW, PAN HEAD	2	2	2	2	2	
16	5BR-E3141-00	COVER, PUMP CASE	1	1	1	1	1	
17	90480-13875	GROMMET	1	1	1	1	1	
18	90480-13876	GROMMET	1	1	1	1	1	
19	98907-05014	SCREW, BIND	2	2	2	2	2	
20	90468-02X00	CLIP	1	1	1	1	1	
21	5BR-E3487-00	GUIDE, OIL HOSE					1	

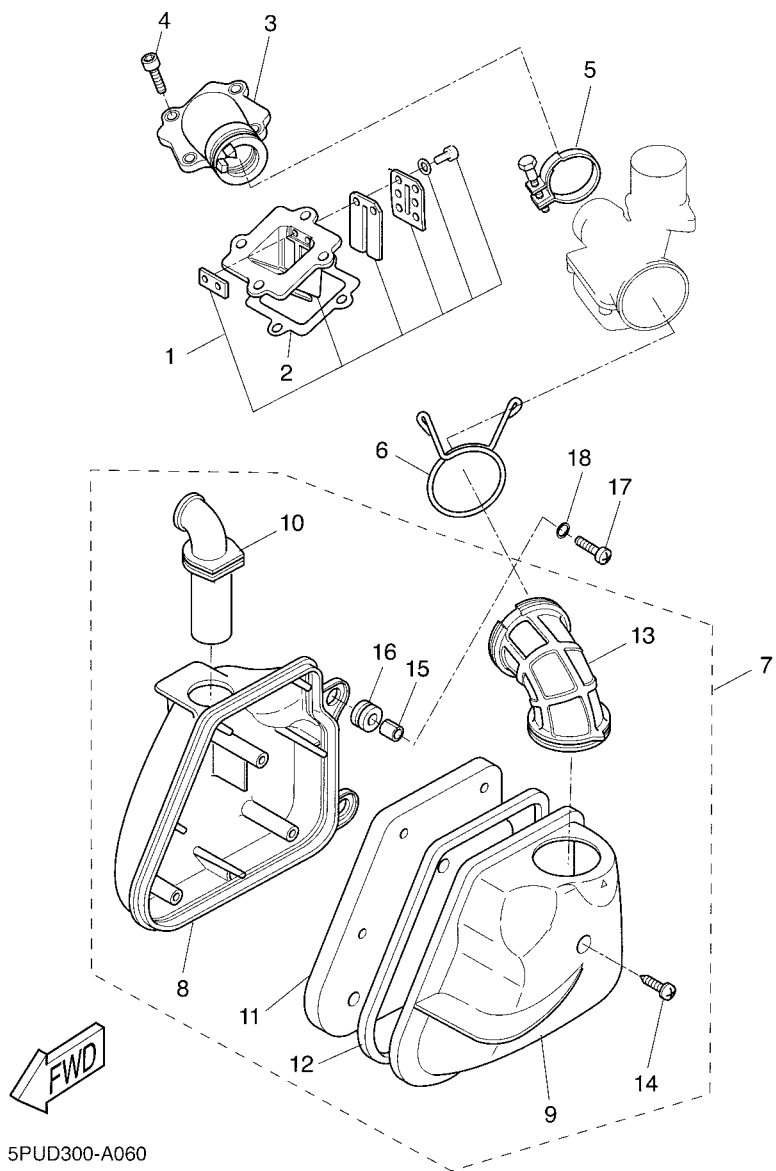
FIG. 6 INTAKE



5SB1300-B060

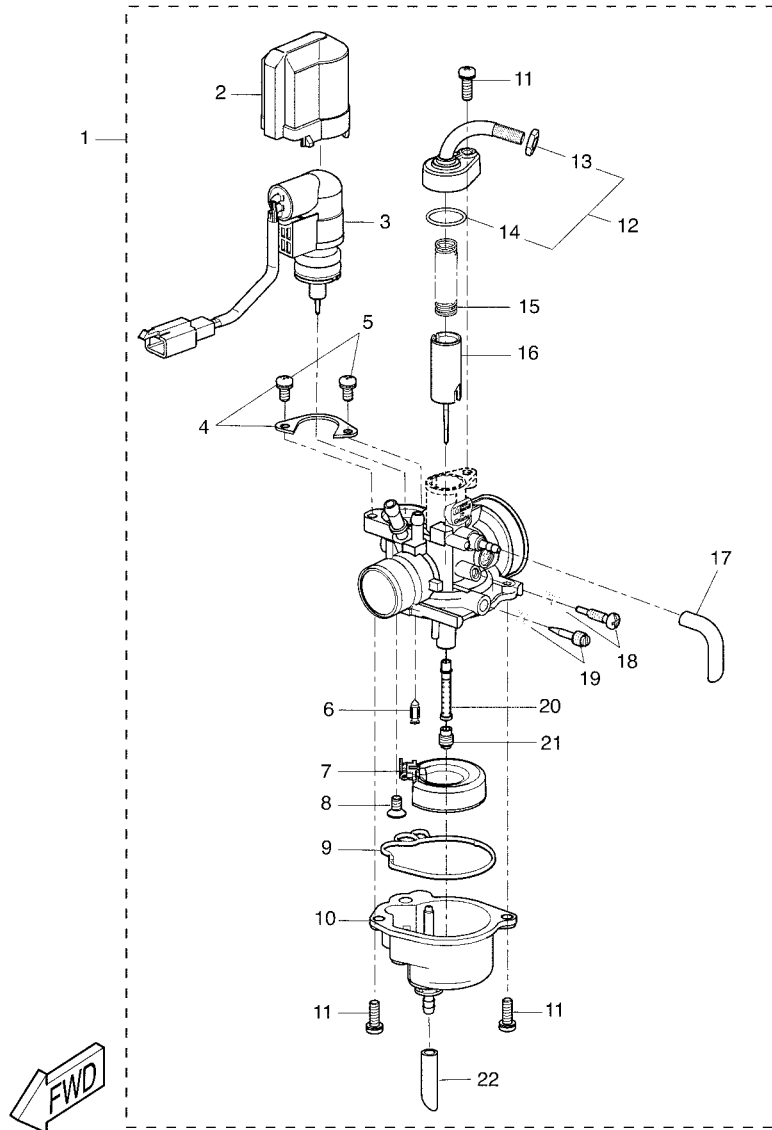
REF. NO.	PART NO.	DESCRIPTION	01	02	03	04	05	REMARKS
1	4CU-E3610-00	REED VALVE ASSY	1	1	1	1		
2	4CU-E3621-00	GASKET, VALVE SEAT	1	1	1	1		
3	4CU-E3555-00	MANIFOLD, INTAKE	1	1	1	1		
4	90110-06X03	BOLT, HEXAGON SOCKET HEAD	2	2	2	2		
5	90149-06X02	SCREW	2	2	2	2		
6	90450-32X02	HOSE CLAMP ASSY	1	1	1	1		
7	90467-24X00	CLIP	1	1	1	1		
8	5BR-E4410-20	AIR CLEANER ASSY.	1	1		1		UR
	5SB-E4410-00	AIR CLEANER ASSY.				1		UR
9	3WG-E4411-00	.CASE, AIR CLEANER 1	1	1	1	1		
10	3WG-E4412-00	.CAP, CLEANER CASE 1	1	1	1	1		
11	3WG-E4437-00	.DUCT	1	1	1	1		
12	3WG-E4451-00	.ELEMENT, AIR CLEANER	1	1		1		
	5CN-E4451-00	.ELEMENT, AIR CLEANER				1		
13	3WG-E4452-00	.SEAL	1	1	1	1		
14	3YJ-E4453-00	.JOINT, AIR CLEANER 1	1	1	1	1		
15	9770L-50525	.SCREW, TAPPING	3	3	3	3		
16	90387-06X06	.COLLAR	2	2	2	2		
17	90480-12X00	.GROMMET	2	2	2	2		
18	98507-06020	SCREW, PAN HEAD	2	2	2	2		
19	92907-06600	WASHER, PLATE	2	2	2	2		

FIG. 7 INTAKE 2



5PUD300-A060

REF. NO.	PART NO.	DESCRIPTION	01	02	03	04	05	REMARKS
1	4CU-E3610-00	REED VALVE ASSY					1	
2	4CU-E3621-00	GASKET, VALVE SEAT					1	
3	4CU-E3555-00	MANIFOLD, INTAKE					1	
4	90110-06X03	BOLT, HEXAGON SOCKET HEAD					4	
5	90450-32X02	HOSE CLAMP ASSY					1	
6	90467-24X00	CLIP					1	
7	5BR-E4410-01	AIR CLEANER ASSY.					1	
8	3WG-E4411-00	.CASE, AIR CLEANER 1					1	
9	3WG-E4412-00	.CAP, CLEANER CASE 1					1	
10	4JC-E4437-00	.DUCT					1	
11	3WG-E4451-00	.ELEMENT, AIR CLEANER					1	
12	3WG-E4452-00	.SEAL					1	
13	3YJ-E4453-00	.JOINT, AIR CLEANER 1					1	
14	9770L-50525	.SCREW, TAPPING					3	
15	90387-06X06	.COLLAR					2	
16	90480-12X00	.GROMMET					2	
17	98507-06020	SCREW, PAN HEAD					2	
18	92907-06600	WASHER, PLATE					2	

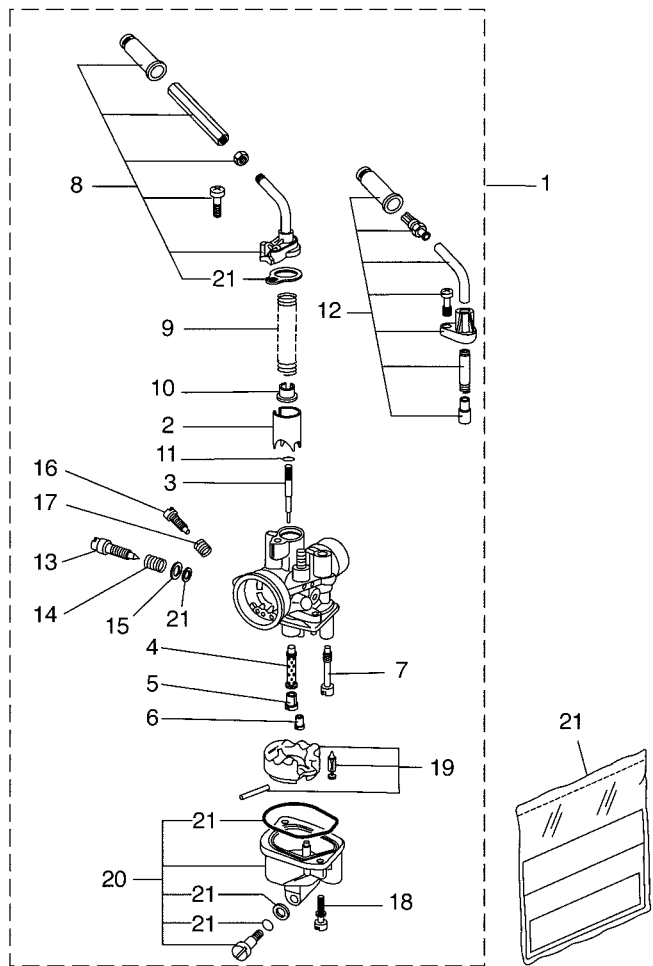


5SB1300-B070

FIG. 8 CARBURETOR

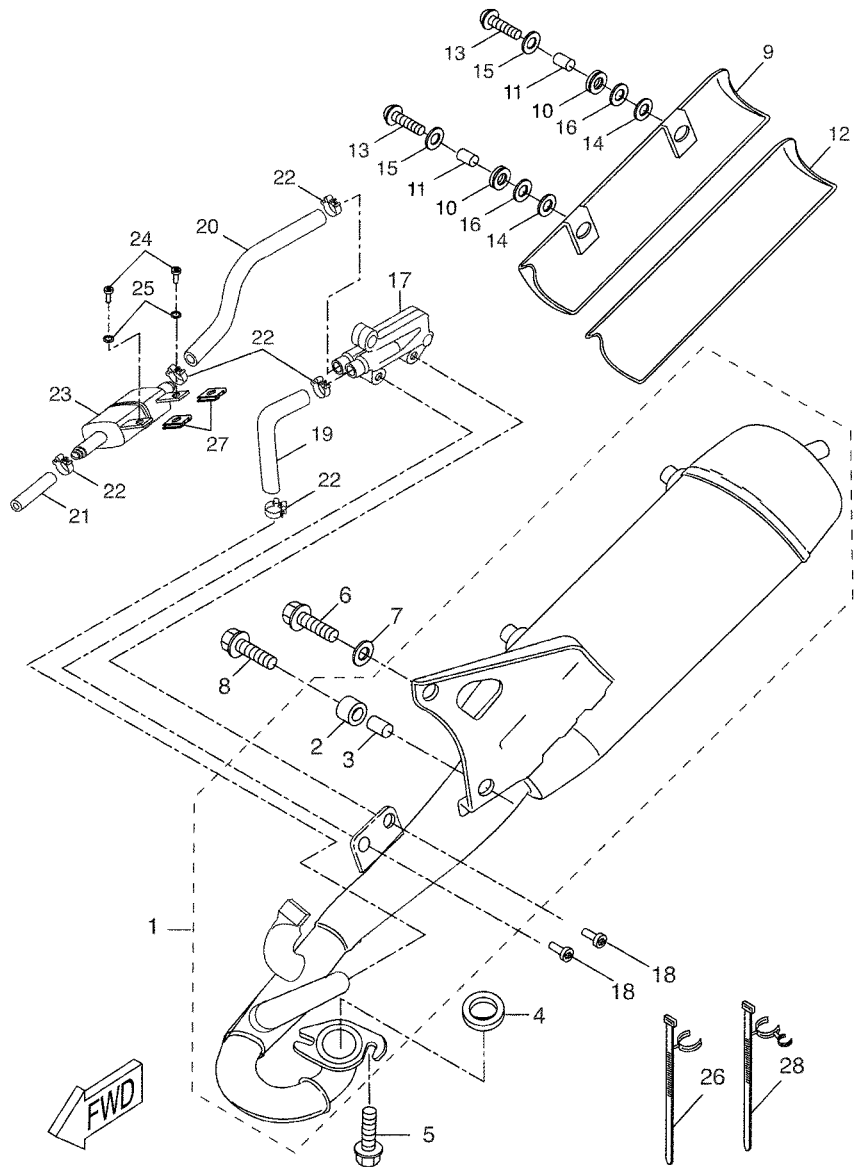
REF. NO.	PART NO.	DESCRIPTION	01	02	03	04	05	REMARKS
1	5SB-E4301-00	CARBURETOR ASSY 1	1	1	1	1		
2	5EU-E4205-00	.CAP, STARTER	1	1	1	1		
3	5EU-E410A-00	.STARTER SET	1	1	1	1		
4	5EU-E4243-00	.PLATE	1	1	1	1		
5	5EU-E4216-20	..SCREW	2	2	2	2		
6	5SB-E4G92-00	.VALVE, NEEDLE	1	1	1	1		
7	5SB-E4G85-00	.FLOAT	1	1	1	1		
8	5EU-E4216-10	.SCREW	1	1	1	1		
9	5EU-E4384-00	.GASKET, FLOAT CHAMBER	1	1	1	1		
10	5RN-E4G81-00	.BODY, FLOAT CHAMBER	1	1	1	1		
11	5EU-E4216-00	.SCREW	3	3	3	3		
12	5EU-E4369-00	.DIAPHRAGM ASSY 2	1	1	1	1		
13	5SB-E4G63-00	..NUT	1	1	1	1		
14	5EU-E4198-00	..GASKET	1	1	1	1		
15	5EU-E4331-00	.SPRING, THROTTLE VALVE	1	1	1	1		
16	5RN-E4G12-30	.VALVE, THROTTLE 1	1	1	1	1		
17	5EU-E414H-00	.HOSE	1	1	1	1		
18	5SB-E4G21-00	.SCREW, THROTTLE	1	1	1	1		
19	5SB-E4G23-00	.SCREW, AIR ADJUSTING	1	1	1	1		
20	5EU-E4341-00	.NOZZLE, MAIN	1	1	1	1		
21	5SB-E4G43-31	.JET, MAIN	1	1	1	1		
22	5EU-E4396-00	.PIPE	1	1	1	1		

FIG. 9 CARBURETOR 2



5WJ5300-B090

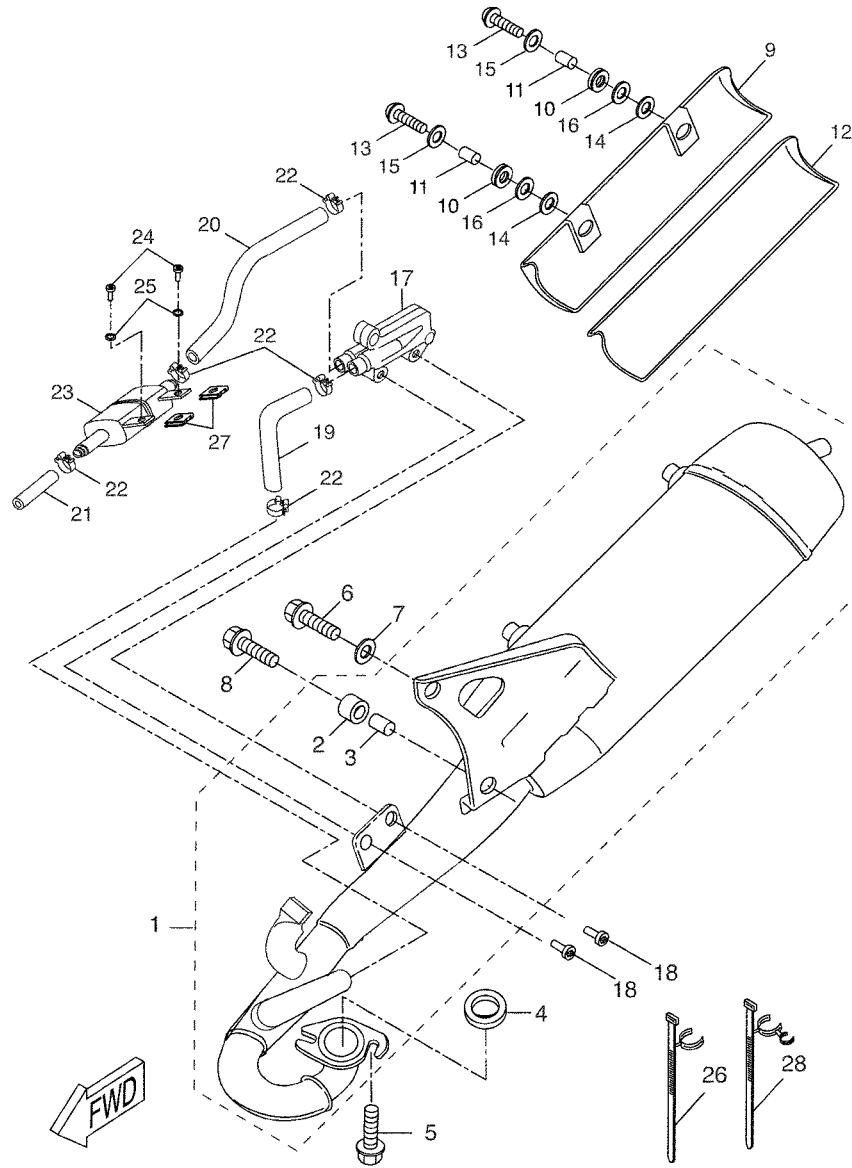
REF. NO.	PART NO.	DESCRIPTION	01	02	03	04	05	REMARKS
1	5WJ-E4D01-00	CARBURETOR ASSY 1					1	
2	5BR-E4312-00	.VALVE, THROTTLE 1					1	
3	5WJ-14D36-00	.NEEDLE					1	
4	5WJ-14D41-00	.NOZZLE, MAIN					1	
5	5PE-E4D43-42	.JET, MAIN					1	
6	5AD-E4342-00	.JET, PILOT (# 0)					1	
7	5AD-E4344-00	.JET, STARTER (# 0)					1	
8	5DN-E4369-01	.DIAPHRAGM ASSY 2					1	
9	4SB-E4331-01	.SPRING, THROTTLE VALVE					1	
10	4SB-E4377-00	.STOPPER					1	
11	4SB-E4137-00	.CLIP					1	
12	5DU-E4368-00	.DIAPHRAGM ASSY 1					1	
13	4SB-E4103-01	.THROTTLE SCREW SET					1	
14	4SB-E4133-01	.SPRING, THROTTLE STOP					1	
15	4SB-E4357-00	.WASHER, PLAIN					1	
16	4SB-E4104-00	.AIR SCREW SET					1	
17	4SB-E4134-00	.SPRING, AIR ADJUSTING					1	
18	5RN-E4D16-00	.SCREW					1	
19	4SB-WE419-00	.FLOAT AND NEEDLE VALVE SET					1	
20	5WJ-14D81-00	.BODY, FLOAT CHAMBER					1	
21	4SB-W0001-00	.GASKET KIT					1	



5SB5354-B081

FIG. 10 EXHAUST

REF. NO.	PART NO.	DESCRIPTION	01	02	03	04	05	REMARKS
1	5SB-E4610-30	EXHAUST PIPE ASSY 1	1	1	1	1		
	5SB-E4610-40	EXHAUST PIPE ASSY 1	1					UR FOR SWE/GER/NL
2	4MJ-E4445-00	.GROMMET	1	1	1	1		
3	5EU-E4779-00	.COLLAR	1	1	1	1		
4	5AD-E4613-00	GASKET, EXHAUST PIPE	1	1	1	1		
5	90153-06061	SCREW, HEXAGON	2	2	2	2		
6	90149-08X02	SCREW	1	1	1	1		
7	90201-08X09	WASHER, PLATE	1	1	1	1		
8	95817-08040	BOLT, FLANGE	1	1	1	1		
9	5PE-E4729-00	EMBLEM, PROTECTOR	1	1	1	1		
10	90480-11X00	GROMMET	2	2	2	2		
11	90387-06X08	COLLAR	2	2	2	2		
12	5PE-E4747-01	DAMPER, MUFFLER	1	1	1	1		
13	90154-06808	SCREW, BINDING	2	2	2	2		
14	3WG-E4766-00	WASHER, PROTECTOR	2	2	2	2		
15	3WG-E4766-10	WASHER, PROTECTOR	2	2	2	2		
16	90201-06X00	WASHER, PLATE	2	2	2	2		
17	5FC-14803-00	AIR INDUCTION SYSTEM ASSY	1	1	1	1		
18	90154-06X05	SCREW, BINDING	2	2	2	2		
19	5SB-E4881-00	HOSE, BEND 1	1	1	1	1		
20	5SB-E4882-00	HOSE, BEND 2	1	1	1	1		
21	5SB-E4883-00	HOSE, BEND 3	1	1	1	1		
22	90450-16X00	HOSE CLAMP ASSY	5	5	5	5		
23	5RJ-E4806-00	AIR FILTER	1	1	1	1		
24	90154-06X00	SCREW, BINDING	2	2	2	2		
25	90201-06X05	WASHER, PLATE	2	2	2	2		
26	90464-50X02	CLAMP	1	1	1	1		Lg : 219.50

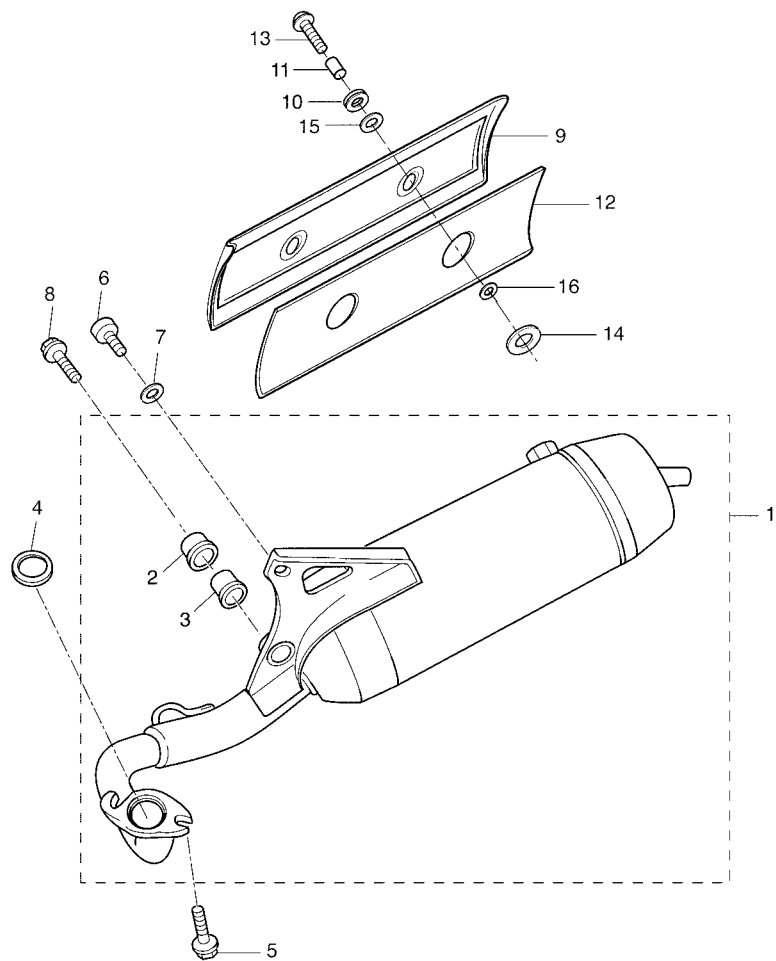


5SB5354-B081

FIG. 10 EXHAUST

REF. NO.	PART NO.	DESCRIPTION	01	02	03	04	05	REMARKS
27	90179-06X05	NUT	2	2	2	2		
28	90464-23X00	CLAMP	1	1	1	1		

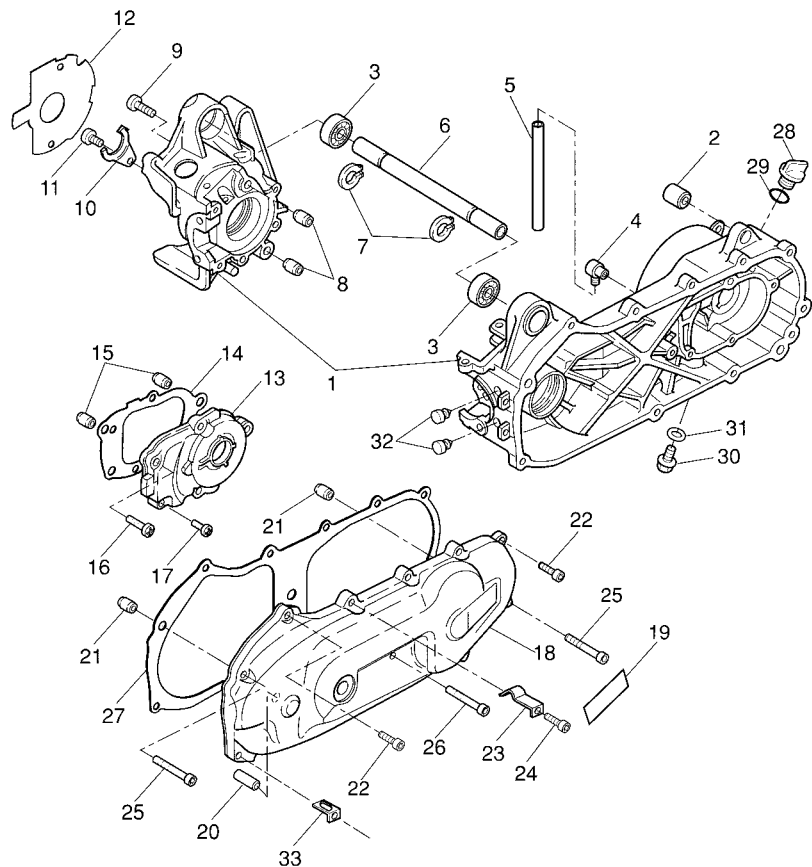
FIG. 11 EXHAUST 2



5PE1300-0080

REF. NO.	PART NO.	DESCRIPTION	01	02	03	04	05	REMARKS
1	5PE-E4610-20	EXHAUST PIPE ASSY 1					1	
2	4MJ-E4445-00	.GROMMET					1	
3	5EU-E4779-00	.COLLAR					1	
4	5AD-E4613-00	GASKET, EXHAUST PIPE					1	
5	90153-06061	SCREW, HEXAGON					2	
6	90149-08X02	SCREW					1	
7	90201-08X09	WASHER, PLATE					1	
8	95817-08040	BOLT, FLANGE					1	
9	5PE-E4729-00	EMBLEM, PROTECTOR					1	
10	90480-11X00	GROMMET					2	
11	90387-06X08	COLLAR					2	
12	5PE-E4747-01	DAMPER, MUFFLER					1	
13	90154-06808	SCREW, BINDING					2	
14	3WG-E4766-00	WASHER, PROTECTOR					2	
15	3WG-E4766-10	WASHER, PROTECTOR					2	
16	90201-06X00	WASHER, PLATE					2	

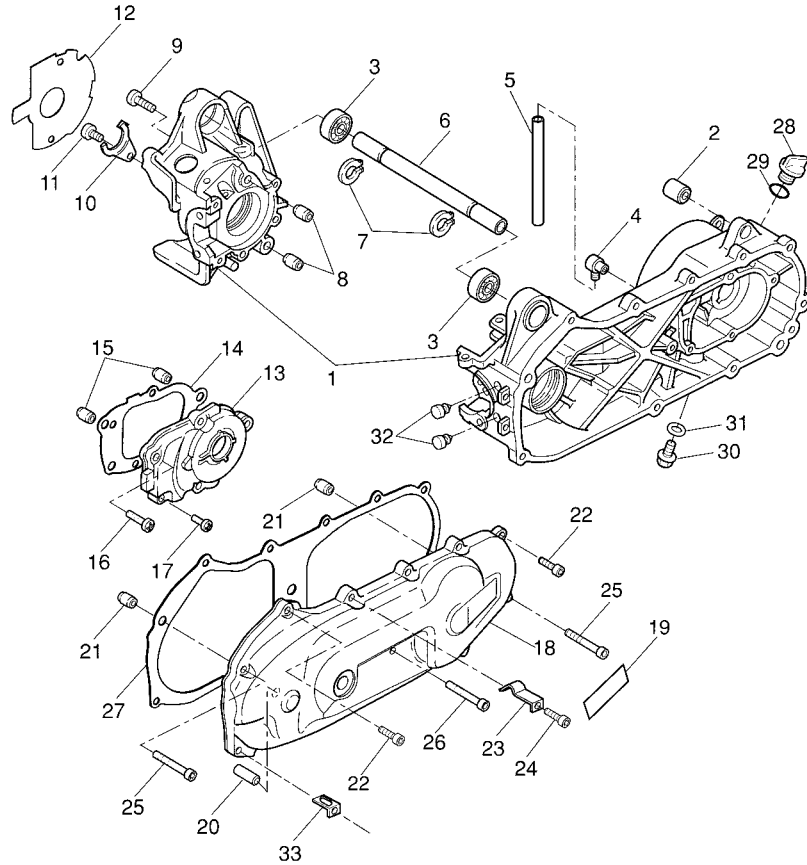
FIG. 12 CRANKCASE



5BR1354-7091

REF. NO.	PART NO.	DESCRIPTION	01	02	03	04	05	REMARKS
1	5DN-E5150-00	CRANKCASE ASSY	1	1	1	1	1	
2	4X6-F2216-00	BUSH, REAR SHOCK ABSORBER	1	1	1	1	1	
3	93306-003YC	BEARING	2	2	2	2	2	
4	3VL-E5371-00	BREATHER	1	1	1	1	1	
5	90446-13311	HOSE	1	1	1	1	1	
6	4CU-E5317-00	SPACER, ENGINE MOUNT	1	1	1	1	1	
7	99009-17400	CIRCLIP	2	2	2	2	2	
8	99530-12016	PIN, DOWEL	2	2	2	2	2	
9	90110-06X06	BOLT, HEXAGON SOCKET HEAD	6	6	6	6	6	
10	3VL-E5128-00	HOLDER	1	1	1	1	1	
11	90110-06X21	BOLT, HEXAGON SOCKET HEAD	1	1	1	1	1	
12	4CU-E5462-00	GASKET, CRANKCASE COVER 3	1	1	1	1	1	
13	3VL-E5421-00	COVER, CRANKCASE 2	1	1	1	1	1	
14	3VL-E5461-00	GASKET, CRANKCASE COVER 2	1	1	1	1	1	
15	91810-14X00	PIN, DOWEL	2	2	2	2	2	
16	90110-06X03	BOLT, HEXAGON SOCKET HEAD	4	4	4	4	4	
17	90110-06X06	BOLT, HEXAGON SOCKET HEAD	2	2	2	2	2	
18	5BR-E5411-00	COVER, CRANKCASE 1	1	1	1	1	1	
19	5BR-E5435-00	EMBLEM	1	1	1	1	1	
20	3VL-E5659-00	SHAFT	1	1	1	1	1	
21	91810-14X00	PIN, DOWEL	2	2	2	2	2	
22	90110-06X04	BOLT, HEXAGON SOCKET HEAD	8	8	8	8	8	
23	5BR-F5876-00	HOLDER, BRAKE HOSE 2	1	1	1	1	1	
24	90110-06X01	BOLT, HEXAGON SOCKET HEAD	1	1	1	1	1	
25	90110-06X06	BOLT, HEXAGON SOCKET HEAD	2	2	2	2	2	
26	90110-06X07	BOLT, HEXAGON SOCKET HEAD	1	1	1	1	1	
27	5AD-E5451-00	GASKET, CRANKCASE COVER 1	1	1	1	1	1	

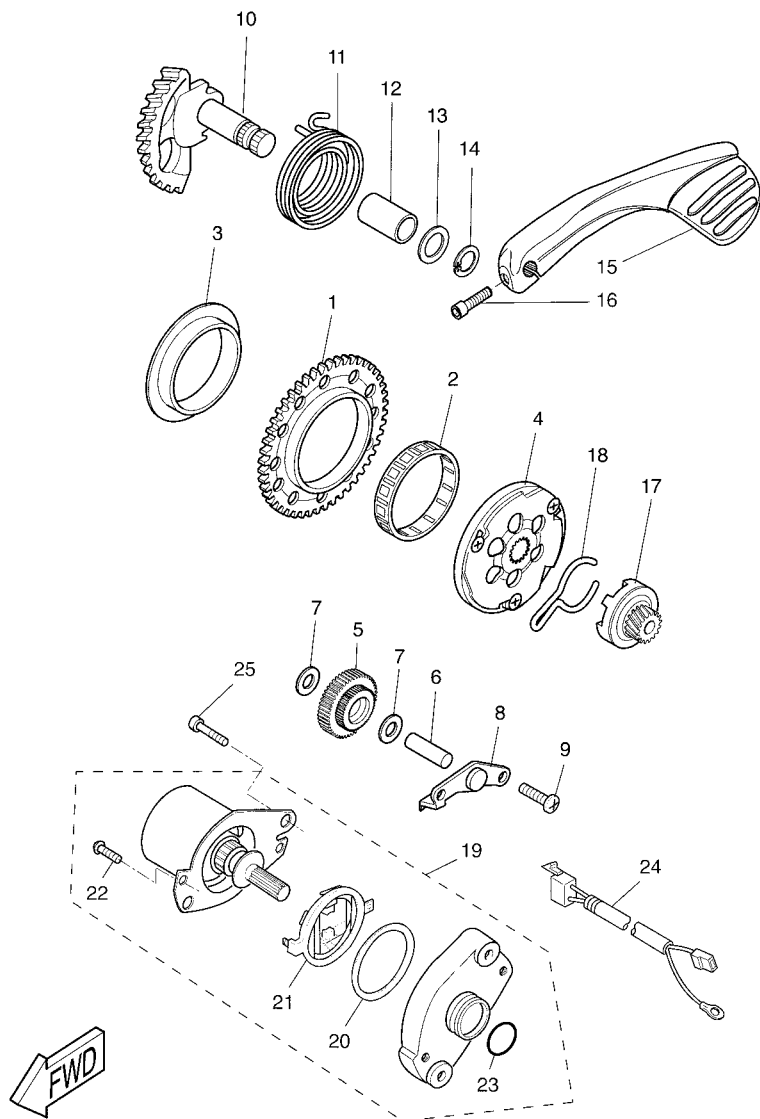
FIG. 12 CRANKCASE



5BR1354-7091

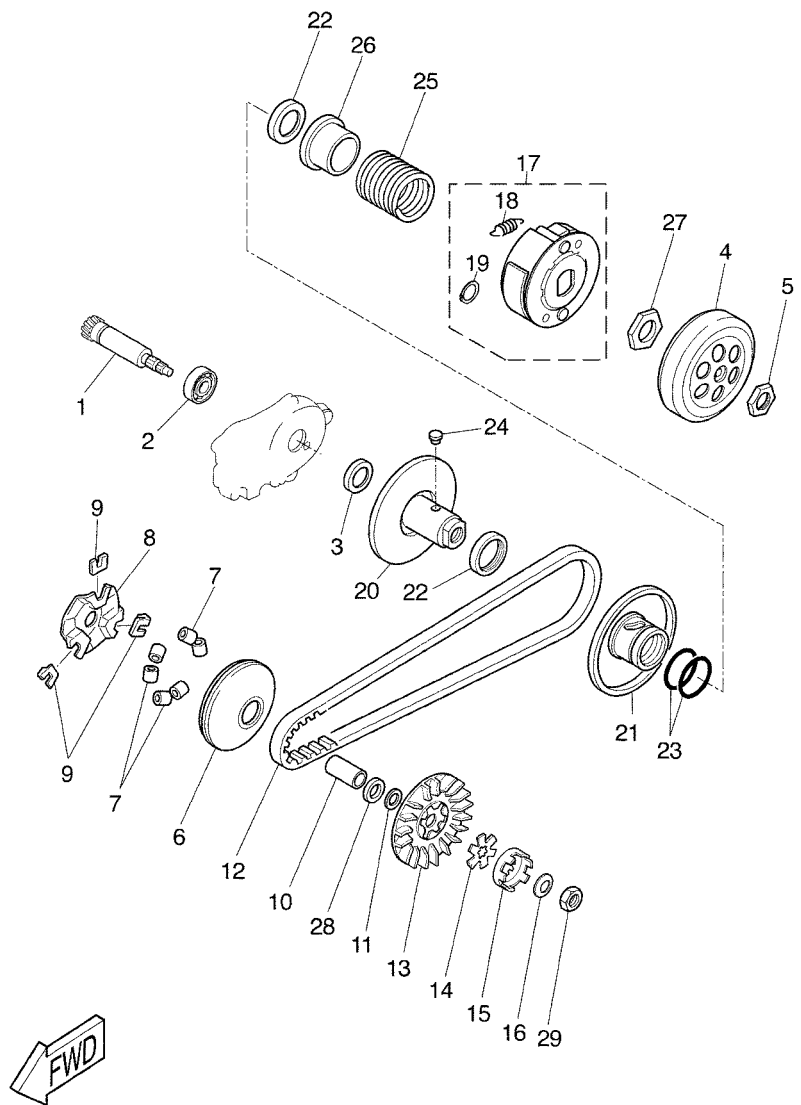
REF. NO.	PART NO.	DESCRIPTION	01	02	03	04	05	REMARKS
28	3VL-E5363-00	PLUG, OIL	1	1	1	1	1	
29	93210-14X01	O-RING	1	1	1	1	1	
30	90105-08X04	BOLT, FLANGE	1	1	1	1	1	
31	90430-08X00	GASKET	1	1	1	1	1	
32	90480-11877	GROMMET	2	2	2	2	2	
33	5BR-E4459-00	HOLDER, GUIDE	1	1	1	1	1	

FIG. 13 STARTER



5KFB332-A100

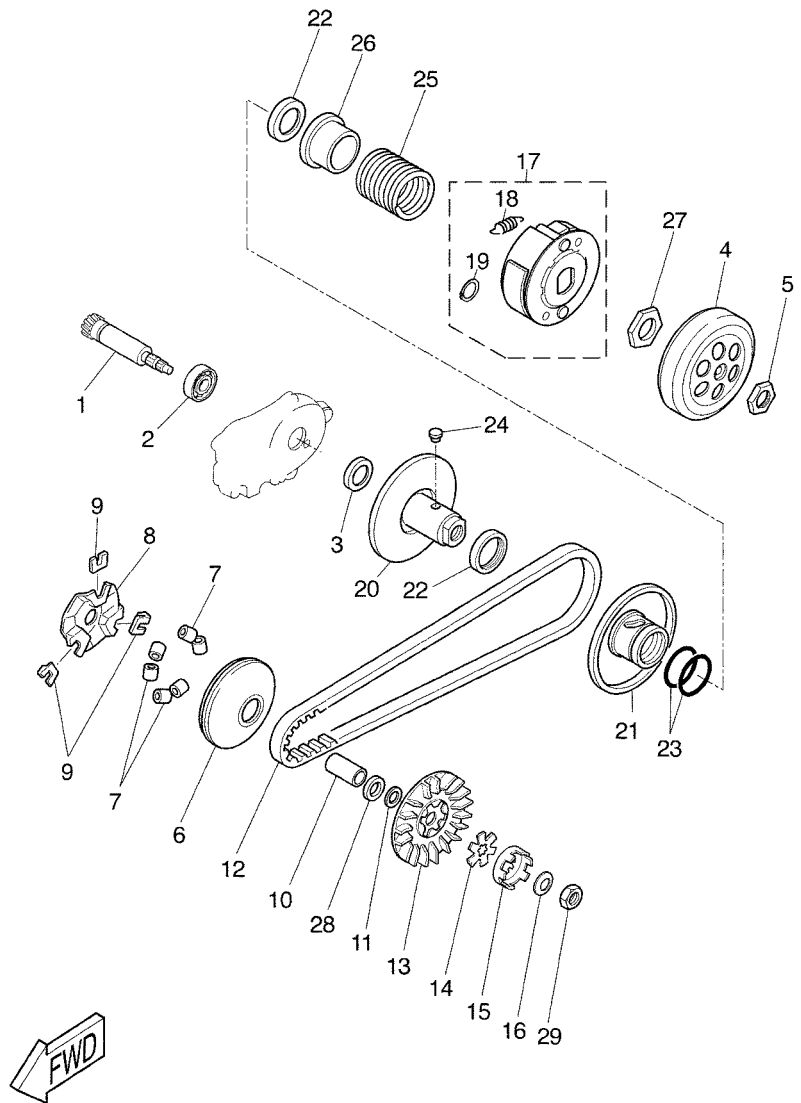
REF. NO.	PART NO.	DESCRIPTION	01	02	03	04	05	REMARKS
1	3AA-15513-00	GEAR 1 (71T)	1	1	1	1	1	
2	93310-257R1	BEARING	1	1	1	1	1	
3	3KJ-15528-00	BOSS, GEAR	1	1	1	1	1	
4	3VL-15570-00	STARTER CLUTCH ASSY	1	1	1	1	1	
5	4SB-E5650-00	IDLE GEAR ASSY	1	1	1	1	1	
6	3VL-E5659-00	SHAFT	1	1	1	1	1	
7	90201-08X00	WASHER, PLATE	2	2	2	2	2	
8	4CU-E5532-00	PLATE, IDLE GEAR	1	1	1	1	1	
9	90110-06X21	BOLT, HEXAGON SOCKET HEAD	2	2	2	2	2	
10	5AD-E5601-00	KICK SHAFT ASSY	1	1	1	1	1	
11	90508-32609	SPRING, TORSION	1	1	1	1	1	
12	90380-15X00	BUSH, SOLID	1	1	1	1	1	
13	90201-155G5	WASHER, PLATE	1	1	1	1	1	
14	99009-15400	CIRCLIP	1	1	1	1	1	
15	5FX-E5620-20	KICK CRANK ASSY	1	1	1	1	1	
16	90110-06X16	BOLT, HEXAGON SOCKET HEAD	1	1	1	1	1	
17	4SB-E5631-00	GEAR, KICK PINION	1	1	1	1	1	
18	3VL-E5673-00	CLIP	1	1	1	1	1	
19	5BM-H1800-00	STARTING MOTOR ASSY	1	1	1	1	1	
20	5BM-81861-00	.GASKET	1	1	1	1	1	
21	5BM-81801-01	.BRUSH SET	1	1	1	1	1	
22	98507-04008	.SCREW, PAN HEAD	2	2	2	2	2	
23	93210-23614	.O-RING	1	1	1	1	1	
24	4CU-H2541-00	WIRE, LEAD	1	1	1	1	1	
25	90110-06X03	BOLT, HEXAGON SOCKET HEAD	2	2	2	2	2	



5SB8300-C140

FIG. 14 CLUTCH

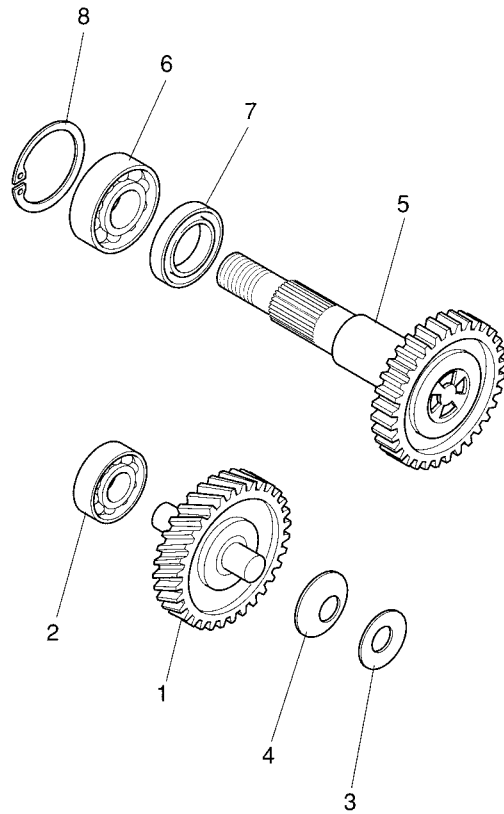
REF. NO.	PART NO.	DESCRIPTION	01	02	03	04	05	REMARKS
1	3VL-E6111-00	GEAR, PRIMARY DRIVE	1	1	1	1	1	
2	93306-203XC	BEARING	1	1	1	1	1	
3	93102-17342	OIL SEAL	1	1	1	1	1	
4	5JH-E6611-00	CLUTCH HOUSING COMP.	1	1	1	1	1	
5	90170-10X01	NUT	1	1	1	1	1	
6	5WW-E7620-00	PRIMARY SLIDING SHEAVE COMP.	1	1	1	1	1	
7	4FG-E7632-00	WEIGHT	6	6	6	6	6	
8	3VL-E7623-00	CAM	1	1	1	1	1	
9	3VL-E7653-00	SLIDER	3	3	3	3	3	
10	90387-135U9	COLLAR	1	1	1	1	1	
11	90201-13X03	WASHER, PLATE	1	1	1	1	1	
12	5RN-E7641-00	V-BELT	1	1	1	1	1	
13	5WW-E7611-00	SHEAVE, PRIMARY FIXED	1	1	1	1	1	
14	90214-13055	WASHER, CLAW	1	1	1	1	1	
15	3VL-E5657-00	CLUTCH, ONEWAY	1	1	1	1	1	
16	90208-10012	WASHER, CONICAL SPRING	1	1	1	1	1	
17	5RH-E6620-00	CLUTCH CARRIER ASSY	1	1	1	1	1	
18	5RH-E6626-00	.SPRING, CLUTCH WEIGHT 1	3	3	3	3	3	
19	93410-06827	.CIRCLIP	3	3	3	3	3	
20	5EU-E7660-00	SECONDARY FIXED SHEAVE COMP.	1	1	1	1	1	
21	5EU-E7670-00	SECONDARY SLIDING SHEAVE	1	1	1	1	1	
22	93109-33826	OIL SEAL	2	2	2	2	2	
23	93210-39X00	O-RING	2	2	2	2	2	
24	5EU-E7664-00	PIN, GUIDE	2	2	2	2	2	
25	90501-35X00	SPRING, COMPRESSION	1	1	1	1	1	
26	3VL-E7604-00	SEAT SPRING SET	1	1	1	1	1	
27	90179-28X00	NUT	1	1	1	1	1	



5SB8300-C140

FIG. 14 CLUTCH

REF. NO.	PART NO.	DESCRIPTION	01	02	03	04	05	REMARKS
28	5PE-E7654-00	SPACER 1	1	1	1	1		
29	90170-10219	NUT	1	1	1	1	1	

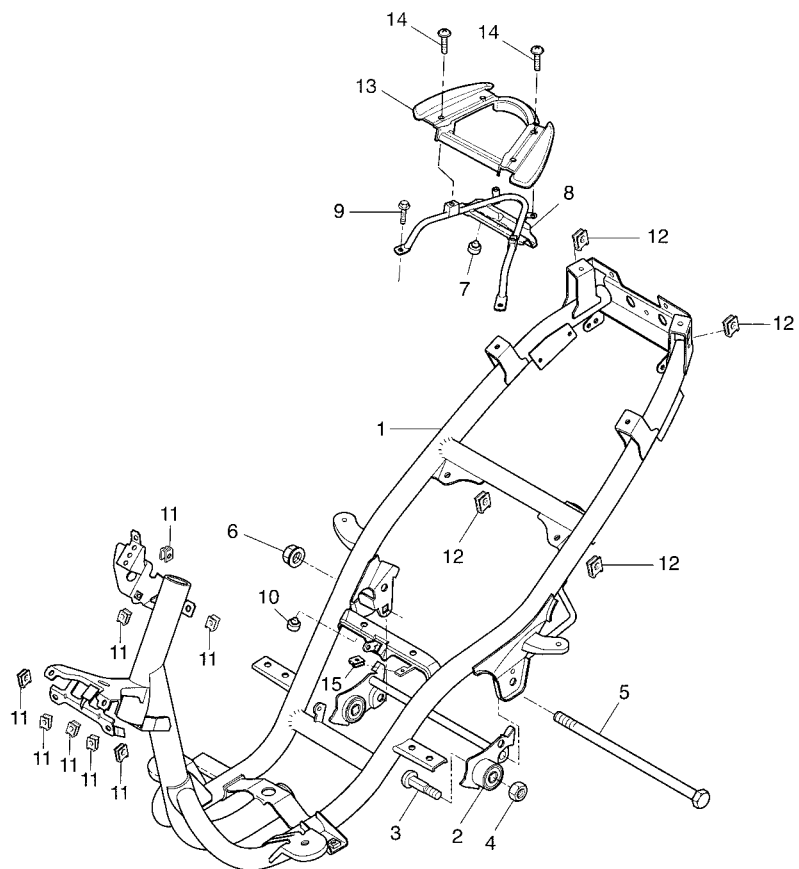


5BR1354-7120

FIG. 15 TRANSMISSION

REF. NO.	PART NO.	DESCRIPTION	01	02	03	04	05	REMARKS
1	3WT-E7410-00	MAIN AXLE COMP.	1	1	1	1	1	
2	93306-200Y4	BEARING	2	2	2	2	2	
3	90201-140G5	WASHER, PLATE	1	1	1	1	1	
4	90208-14047	WASHER, CONICAL SPRING	1	1	1	1	1	
5	3WT-E7420-00	DRIVE AXLE ASSY	1	1	1	1	1	
6	93306-203YF	BEARING	1	1	1	1	1	
7	93102-22897	OIL SEAL	1	1	1	1	1	
8	93420-40064	CIRCLIP	1	1	1	1	1	

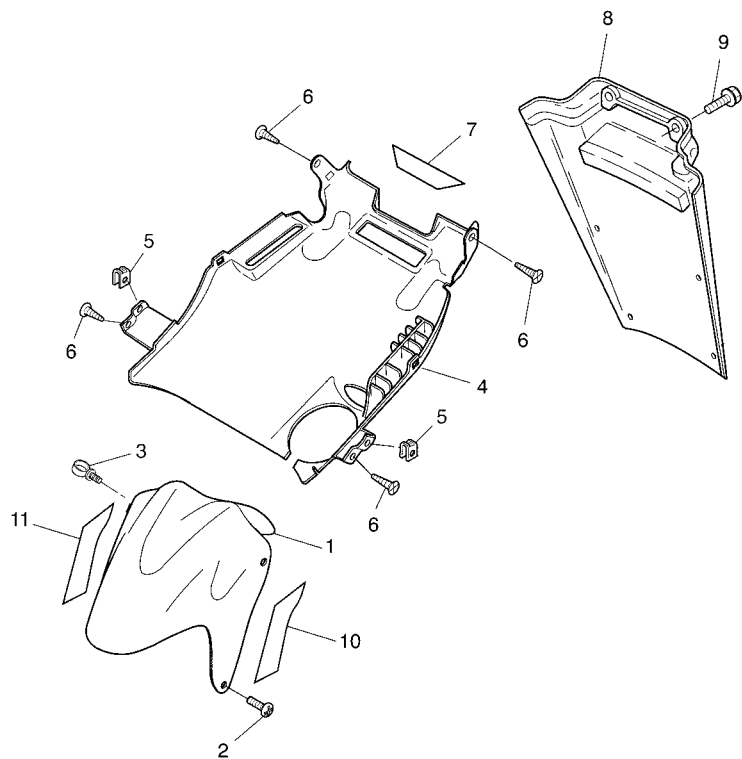
FIG. 16 FRAME



5SB6300-C160

REF. NO.	PART NO.	DESCRIPTION	01	02	03	04	05	REMARKS
1	5PU-F1110-11	FRAME COMP.	1	1	1	1	1	
2	5BR-F1410-10	ENGINE BRACKET COMP.	1	1	1	1	1	
3	5DS-F1481-00	BOLT, ENGINE MOUNTING 1	2	2	2	2	2	
4	90185-10154	NUT, SELF-LOCKING	2	2	2	2	2	
5	3KJ-21481-00	BOLT, ENGINE MOUNTING 1	1	1	1	1	1	
6	95607-12200	NUT, SELF-LOCKING	1	1	1	1	1	
7	3VL-F4741-10	PAD, SEAT	4	4	4	4	4	
8	5HE-F1232-00	REINFORCEMENT, TAIL	1	1	1	1	1	
9	95827-08016	BOLT, FLANGE	4	4	4	4	4	
10	3VL-F4741-10	PAD, SEAT	4	4	4	4	4	
11	90183-06X00	NUT, SPRING	8	8	8	8	8	
12	90183-05X00	NUT, SPRING	4	4	4	4	4	
13	5HE-F4773-00	HANDLE, SEAT	1	1	1	1	1	NP
14	90111-06X01	BOLT, HEX. SOCKET BUTTON	4	4	4	4	4	
15	90183-06X00	NUT, SPRING	1	1	1	1	1	

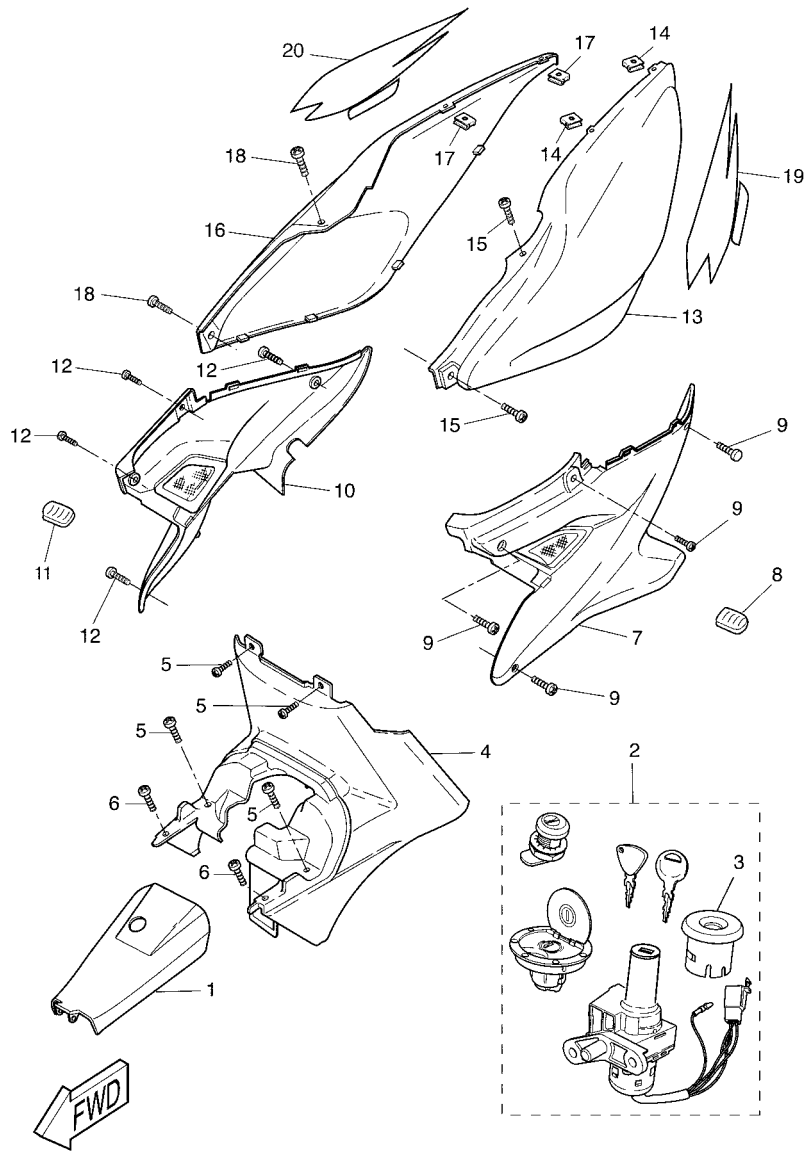
FIG. 17 FRONT FENDER



5PE5300-2141



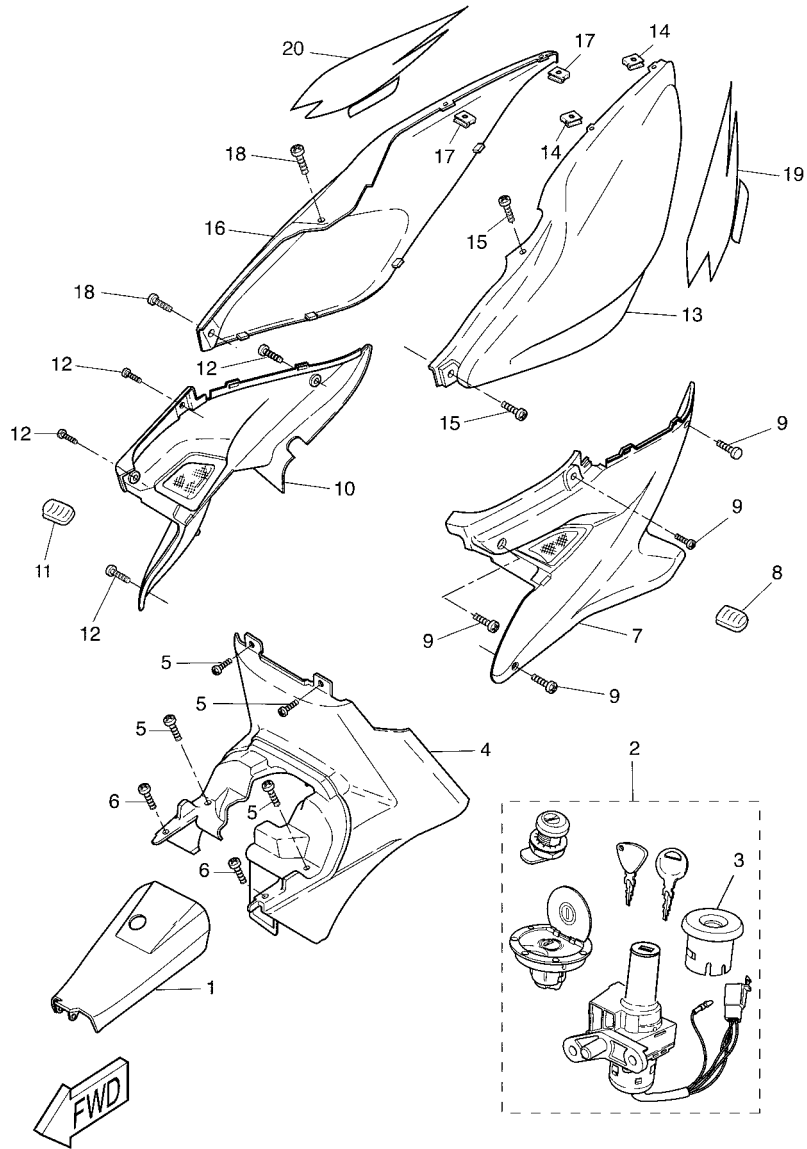
REF. NO.	PART NO.	DESCRIPTION	01	02	03	04	05	REMARKS
1	5PE-F1556-00-P5	FENDER, FRONT 2	1	1	1	1	1	DPBMC
	5PE-F1556-00-PJ	FENDER, FRONT 2	1	1	1	1	1	LNMR
	5PE-F1556-00-PK	FENDER, FRONT 2	1	1	1	1	1	MBL2
2	90157-05X02	SCREW, PAN HEAD	4	4	4	4	4	
3	2RN-F1518-00	HOLDER, CABLE	1	1	1	1	1	
4	5BR-F1629-00	GUARD, MUD	1	1	1	1	1	
5	90183-05X00	NUT, SPRING	2	2	2	2	2	
6	90167-05X02	SCREW, TAPPING	4	4	4	4	4	
7	5BR-F152A-10	EMBLEM 3	1	1	1	1	1	
8	5BR-F1642-00	GUARD, FLAP	1	1	1	1	1	
	5BR-F1642-10	GUARD, FLAP					1	
9	90109-06X05	BOLT	2	2	2	2	2	
10	5PE-F1569-00	GRAPHIC 1	1	1	1	1	1	UR FOR DPBMC
	5PE-F1569-20	GRAPHIC 1	1	1	1	1	1	UR FOR SMX
	5PE-F1569-40	GRAPHIC 1	1	1	1	1	1	UR FOR LNMR
11	5PE-F1579-00	GRAPHIC 2	1	1	1	1	1	UR FOR DPBMC
	5PE-F1579-20	GRAPHIC 2	1	1	1	1	1	UR FOR SMX
	5PE-F1579-40	GRAPHIC 2	1	1	1	1	1	UR FOR LNMR



5SB6300-C180

FIG. 18 SIDE COVER

REF. NO.	PART NO.	DESCRIPTION	01	02	03	04	05	REMARKS
1	5BR-F177E-00	LID	1	1	1	1	1	
2	5WJ-H2021-10	KEY SET	1	1	1	1	1	
3	5AD-H2552-00	.CAP, SWITCH	1	1	1	1	1	
4	5BR-F1716-00	LID, SIDE COVER	1	1	1	1	1	
5	90167-05X02	SCREW, TAPPING	4	4	4	4	4	
6	90167-05X01	SCREW, TAPPING	2	2	2	2	2	
7	5BR-F1711-10	COVER, SIDE 1	1	1	1	1	1	
	5DN-F1711-10	COVER, SIDE 1	1					UR FOR SWE/GER/NL
8	5BR-F7433-00	COVER, REAR FOOTREST	1					FOR SWE/GER/NLD
9	90167-05X02	SCREW, TAPPING	4	4	4	4	4	
10	5BR-F1721-10	COVER, SIDE 2	1	1	1	1	1	
	5DN-F1721-10	COVER, SIDE 2	1					UR FOR SWE/GER/NL
11	5BR-F7444-00	COVER, REAR FOOTREST	1					FOR SWE/GER/NLD
12	90167-05X02	SCREW, TAPPING	4	4	4	4	4	
13	5BR-F1731-03-P7	COVER, SIDE 3	1	1	1	1	1	DPBMC
	5BR-F1731-03-PJ	COVER, SIDE 3	1	1	1	1	1	SMX
	5BR-F1731-03-PK	COVER, SIDE 3	1	1	1	1	1	LNMR
14	90183-05X00	NUT, SPRING	2	2	2	2	2	
15	90167-05X02	SCREW, TAPPING	2	2	2	2	2	
16	5BR-F1741-03-P7	COVER, SIDE 4	1	1	1	1	1	DPBMC
	5BR-F1741-03-PJ	COVER, SIDE 4	1	1	1	1	1	SMX
	5BR-F1741-03-PK	COVER, SIDE 4	1	1	1	1	1	LNMR
17	90183-05X00	NUT, SPRING	2	2	2	2	2	
18	90167-05X02	SCREW, TAPPING	2	2	2	2	2	
19	3C6-F173E-00	GRAPHIC 1	1	1	1	1	1	UR FOR DPBMC
	3C6-F173E-10	GRAPHIC 1	1	1	1	1	1	UR FOR LNMR
	3C6-F173E-20	GRAPHIC 1	1	1	1	1	1	UR FOR SMX

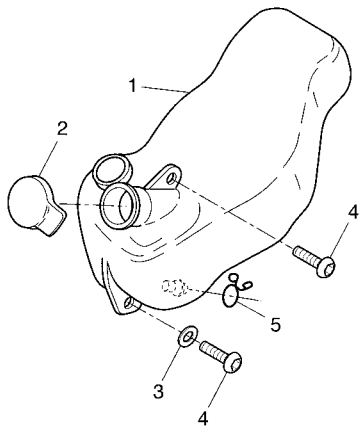


5SB6300-C180

FIG. 18 SIDE COVER

REF. NO.	PART NO.	DESCRIPTION	01	02	03	04	05	REMARKS
20	3C6-F173F-00	GRAPHIC 2	1	1	1	1	1	UR FOR DPBMC
	3C6-F173F-10	GRAPHIC 2	1	1	1	1	1	UR FOR LNMR
	3C6-F173F-20	GRAPHIC 2	1	1	1	1	1	UR FOR SMX

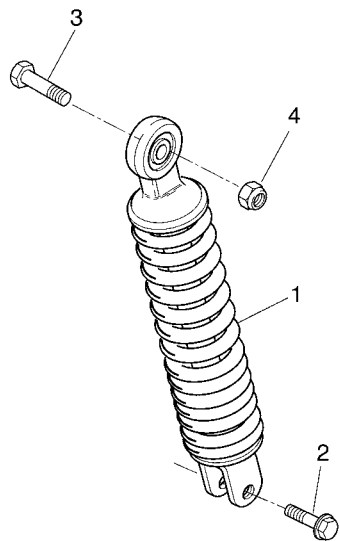
FIG. 19 OIL TANK



5SB2M00-B160

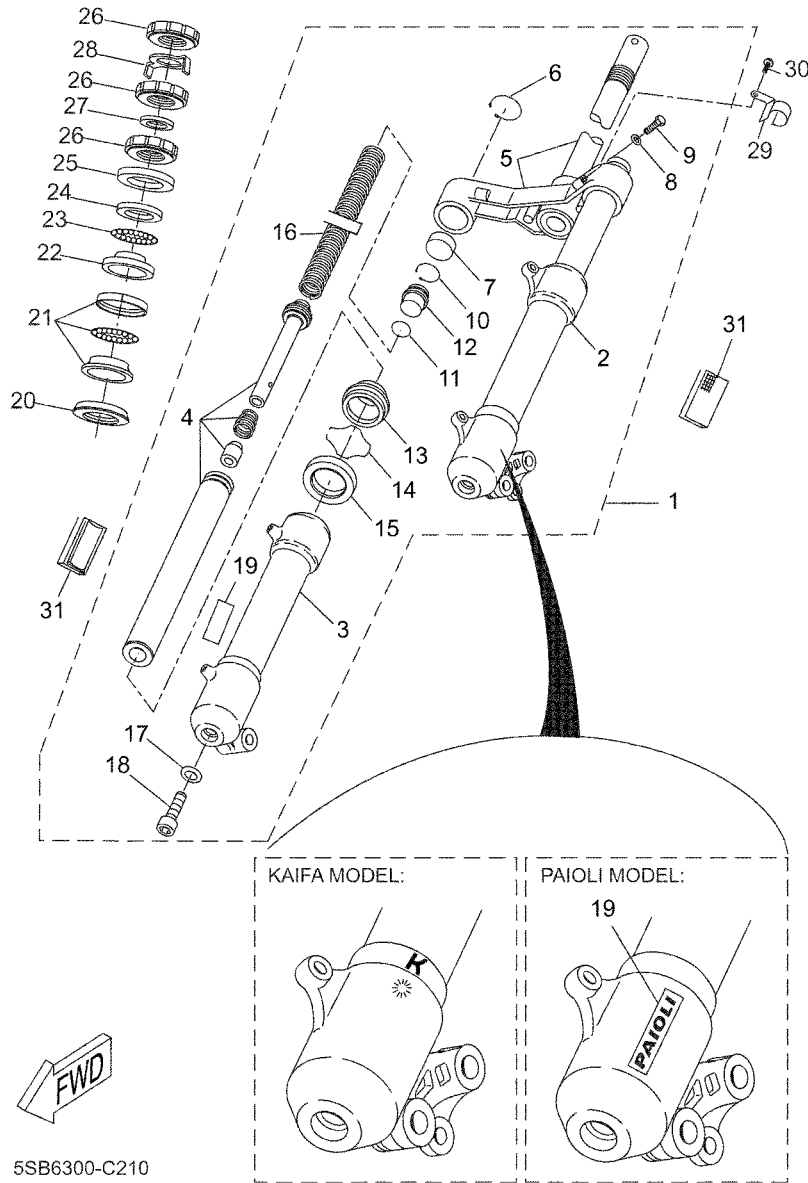
REF. NO.	PART NO.	DESCRIPTION	01	02	03	04	05	REMARKS
1	5BR-F1705-00	OIL TANK ASSY	1	1	1	1	1	
2	3WG-F1771-00	BODY, CAP	1	1	1	1	1	
3	90201-06X06	WASHER, PLATE	1	1	1	1	1	
4	90154-06X01	SCREW, BINDING	2	2	2	2	2	
5	90467-08003	CLIP	1	1	1	1	1	

FIG. 20 REAR SUSPENSION



5BR1354-7170

REF. NO.	PART NO.	DESCRIPTION	01	02	03	04	05	REMARKS
1	5BR-F2210-50	SHOCK ABSORBER ASSY, REAR	1	1	1	1	1	SPRING COLOR PURP
2	90105-08121	BOLT, FLANGE	1	1	1	1	1	
3	90101-10776	BOLT	1	1	1	1	1	
4	95607-10200	NUT, U FLANGE	1	1	1	1	1	



5SB6300-C210

FIG. 21 FRONT FORK

REF. NO.	PART NO.	DESCRIPTION	01	02	03	04	05	REMARKS
1	5ME-F3100-11	FRONT FORK ASSY					1	(PAIOLI)
	5ME-F3100-30	FRONT FORK ASSY	1	1	1	1		(KAIFA)
2	5BR-F3126-00	.TUBE, OUTER (LEFT)					1	(PAIOLI)
	5ME-F3126-30	.TUBE, OUTER (LEFT)	1	1	1	1		(KAIFA)
3	5BR-F3136-00	.TUBE, OUTER (RIGHT)					1	(PAIOLI)
	5ME-F3136-30	.TUBE, OUTER (RIGHT)	1	1	1	1		(KAIFA)
4	5BR-F3110-01	.INNER TUBE COMP.1					2	(PAIOLI)
	5ME-F3110-30	.INNER TUBE COMP.1	2	2	2	2		(KAIFA)
5	5ME-F3340-10	.UNDER BRACKET COMP.					1	(PAIOLI)
	5ME-F3340-30	.UNDER BRACKET COMP.	1	1	1	1		(KAIFA)
6	4TD-F3153-00	.RING, SNAP					2	(PAIOLI)
	5ME-F387J-30	.RING, STOPPER	2	2	2	2		(KAIFA)
7	4TD-F3154-00	.PLUG, INNER TUBE					2	(PAIOLI)
	5ME-F3111-30	.BOLT, CAP	2	2	2	2		(KAIFA)
8	4TD-F3112-00	.WASHER, CAP					2	(PAIOLI)
	5ME-F3112-30	.WASHER, CAP	2	2	2	2		(KAIFA)
9	4TD-F3394-00	.BOLT, SPECIAL					2	(PAIOLI)
	5ME-F3394-30	.BOLT, SPECIAL	2	2	2	2		(KAIFA)
10	4TD-F3183-00	.CIRCLIP					2	(PAIOLI)
	5ME-F3183-30	.CIRCLIP	2	2	2	2		(KAIFA)
11	4TD-F3147-00	.O-RING					2	(PAIOLI)
	5ME-F3147-30	.O-RING	2	2	2	2		(KAIFA)
12	4TD-F3111-00	.BOLT, CAP					2	(PAIOLI)
	5ME-F3113-30	.COLLAR	2	2	2	2		(KAIFA)
13	4TD-F3144-00	.SEAL, DUST					2	(PAIOLI)
	5ME-F3144-30	.SEAL, DUST	2	2	2	2		(KAIFA)
14	4TD-F3156-00	.CLIP, OIL SEAL					2	(PAIOLI)

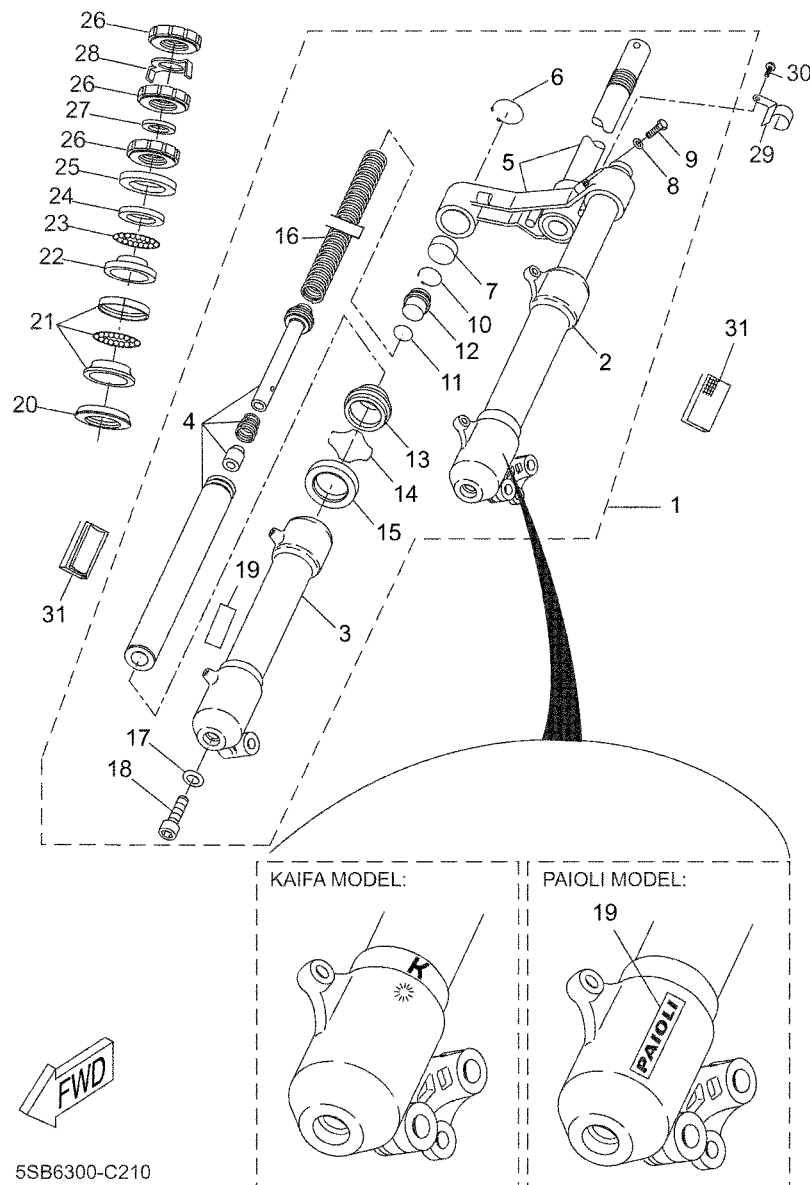
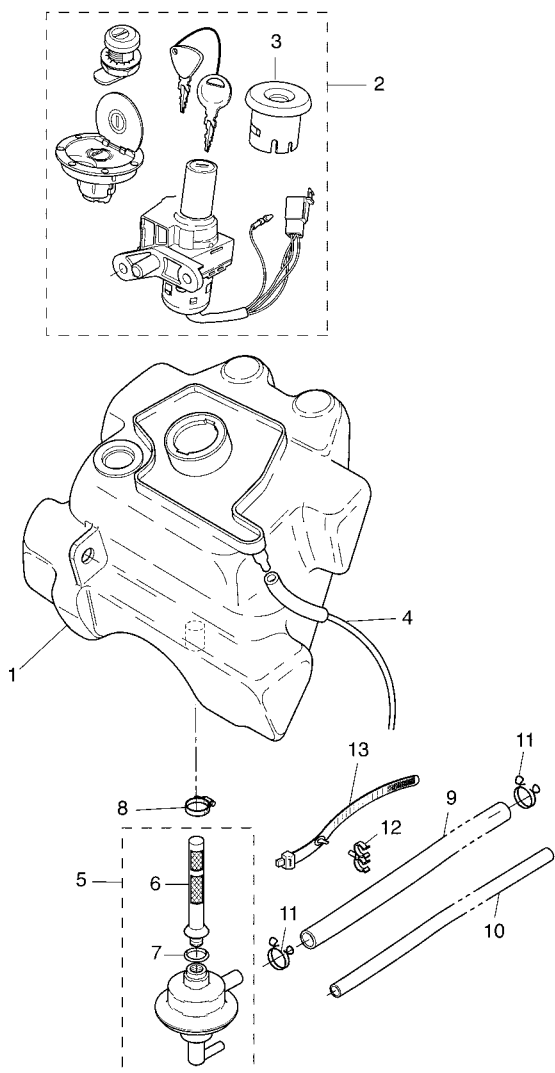


FIG. 21 FRONT FORK

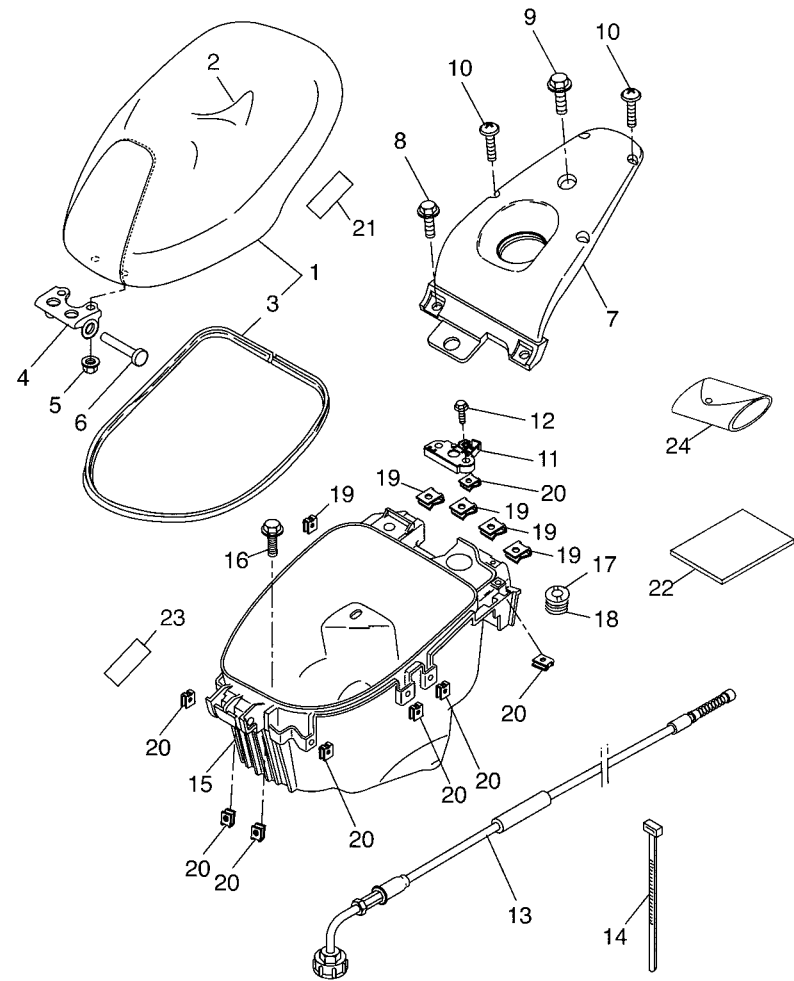
REF. NO.	PART NO.	DESCRIPTION	01	02	03	04	05	REMARKS
14	5ME-F3156-30	.CLIP, OIL SEAL	2	2	2	2		(KAIFA)
15	4TD-F3145-00	.OIL SEAL					2	(PAIOLI)
	5ME-F3145-30	.OIL SEAL	2	2	2	2		(KAIFA)
16	4TD-F3141-00	.SPRING, FRONT FORK					2	(PAIOLI)
	5ME-F3141-30	.SPRING, FRONT FORK	2	2	2	2		(KAIFA)
17	4CU-F3165-00	.WASHER, FELT					2	(PAIOLI)
	5ME-F3165-30	.WASHER, FELT	2	2	2	2		(KAIFA)
18	4TD-F3181-00	.BOLT, HEXAGON SOCKET HEAD					2	(PAIOLI)
	5ME-F3181-30	.BOLT, HEXAGON SOCKET HEAD	2	2	2	2		(KAIFA)
19	5BR-F3108-00	.EMBLEM					2	(PAIOLI)
20	21L-F3462-00	SEAL, STEERING	1	1	1	1	1	
21	93399-99940	BEARING	1	1	1	1	1	
22	22F-23412-01	RACE, BALL 2	1	1	1	1	1	
23	22F-2341E-00	RETAINER, BALL BEARING	1	1	1	1	1	
24	22F-23411-01	RACE, BALL 1	1	1	1	1	1	
25	3VP-23416-00	COVER, BALL RACE 2	1	1	1	1	1	
26	90179-25X00	NUT	3	3	3	3	3	
27	90202-26X00	WASHER, PLATE	1	1	1	1	1	
28	5DS-F3418-00	WASHER, SPECIAL	1	1	1	1	1	
29	5TK-F5876-00	HOLDER, BRAKE HOSE 2	1	1	1	1	1	
30	90154-06X01	SCREW, BINDING	1	1	1	1	1	
31	5HE-H5111-00	REFLECTOR, FRONT 1	2	2	2	2		

FIG. 22 FUEL TANK



5PUD300-A190

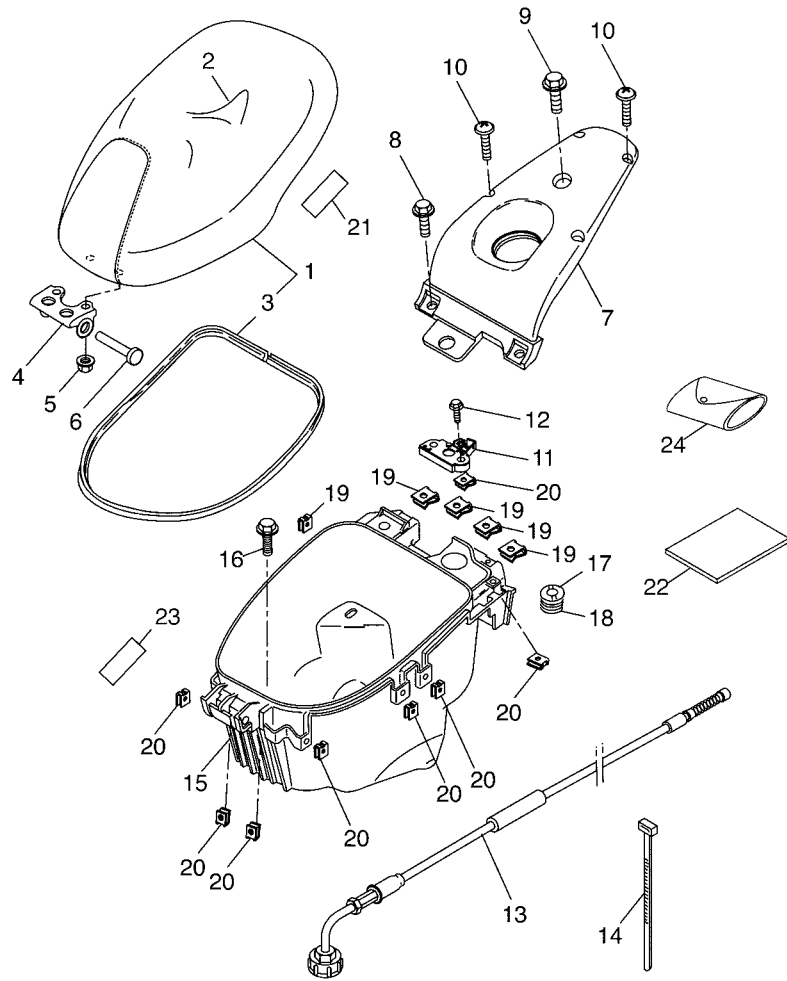
REF. NO.	PART NO.	DESCRIPTION	01	02	03	04	05	REMARKS
1	5BR-F4110-01	FUEL TANK COMP.	1	1	1	1	1	
2	5WJ-H2021-10	KEY SET	1	1	1	1	1	
3	5AD-H2552-00	.CAP, SWITCH	1	1	1	1	1	
4	4SB-F4318-11	PIPE, OVERFLOW	1	1	1	1	1	
5	5BR-F4500-00	FUEL COCK ASSY 1	1	1	1	1	1	(PAIOLI MODEL)
6	5EU-F4501-00	.FILTER, FUEL	1	1	1	1	1	(FOR PAIOLI MODEL)
7	5EU-F4512-00	.GASKET	1	1	1	1	1	(FOR PAIOLI MODEL)
8	90450-22X00	HOSE CLAMP ASSY	1	1	1	1	1	
9	4SB-F4312-11	PIPE 2	1	1	1	1	1	
10	4SB-F4335-11	PIPE, SUCTION 1	1	1	1	1	1	
11	90467-09006	CLIP	2	2	2	2	2	
12	90464-10X01	CLAMP	2	2	2	2	2	
13	90464-75X00	CLAMP	2	2	2	2	2	200X7.0



FWD
3C61300-D230

FIG. 23 SEAT & CARRIER

REF. NO.	PART NO.	DESCRIPTION	01	02	03	04	05	REMARKS
1	5HE-F4710-10	SINGLE SEAT ASSY	1	1	1	1	1	
2	5HE-F4731-10	.COVER, SEAT	1	1	1	1	1	
3	5BR-F475M-00	.SEAL	1	1	1	1	1	
4	4CU-F4726-00	HINGE, SEAT	1	1	1	1	1	
5	90179-06X00	NUT	2	2	2	2	2	
6	90241-10X00	PIN	1	1	1	1	1	
7	5HE-F4756-00	COVER, TAIL	1	1	1	1	1	
8	90105-06X02	BOLT, FLANGE	2	2	2	2	2	
9	90105-06X01	BOLT, FLANGE	1	1	1	1	1	
10	90167-05X01	SCREW, TAPPING	4	4	4	4	4	
11	5AD-F4780-00	SEAT LOCK ASSY	1	1	1	1	1	
12	90105-06X02	BOLT, FLANGE	2	2	2	2	2	
13	5BR-F478E-10	CABLE, SEAT LOCK	1	1	1	1	1	
14	4KH-H3936-01	BAND, SWITCH CORD	1	1	1	1	1	249X4.80
15	5BR-F473R-00	BOX 1	1	1	1	1	1	
16	90109-06X05	BOLT	4	4	4	4	4	
17	5AD-F4781-00	SUPPORT, SPRING 1	1	1	1	1	1	
18	90501-20X00	SPRING, COMPRESSION	1	1	1	1	1	
19	90183-06X00	NUT, SPRING	5	5	5	5	5	
20	90183-05X00	NUT, SPRING	10	10	10	10	10	
21	5SB-F118N-02	LABEL	1	1	1	1	1	
22	5SB-F8199-H1	MANUAL,OWNER'S	1					UR ITALIAN
	5WJ-F8199-E0	MANUAL,OWNER'S					1	UR ENGLISH
	5WJ-F8199-E1	MANUAL,OWNER'S	1	1		1		UR ENGLISH
	5WJ-F8199-F0	MANUAL,OWNER'S					1	UR FRENCH
	5WJ-F8199-F1	MANUAL,OWNER'S	1					UR FRENCH
	5WJ-F8199-P1	MANUAL,OWNER'S				1		UR PORTUGUESE

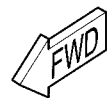
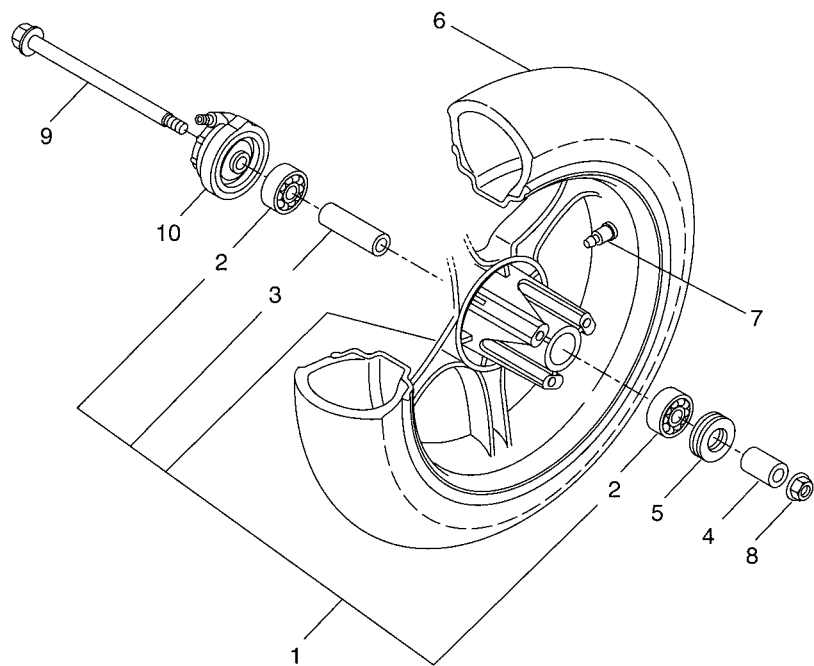


3C61300-D230

FIG. 23 SEAT & CARRIER

REF. NO.	PART NO.	DESCRIPTION	01	02	03	04	05	REMARKS
22	5WJ-F8199-S1	MANUAL,OWNER'S	1					UR SPANISH
	5WJ-F8199-D1	MANUAL,OWNER'S	1					UR DUTCH
	5WJ-F8199-G1	MANUAL,OWNER'S	1					UR GERMAN
	5WJ-F8199-G0	MANUAL,OWNER'S					1	UR GERMAN
	5SB-F8199-H0	MANUAL,OWNER'S					1	UR ITALIAN
23	5DN-F415A-10	LABEL, CAUTION	1	1	1	1	1	
24	4BX-F8100-00	TOOL KIT	1					FOR SWE/GER/NLD

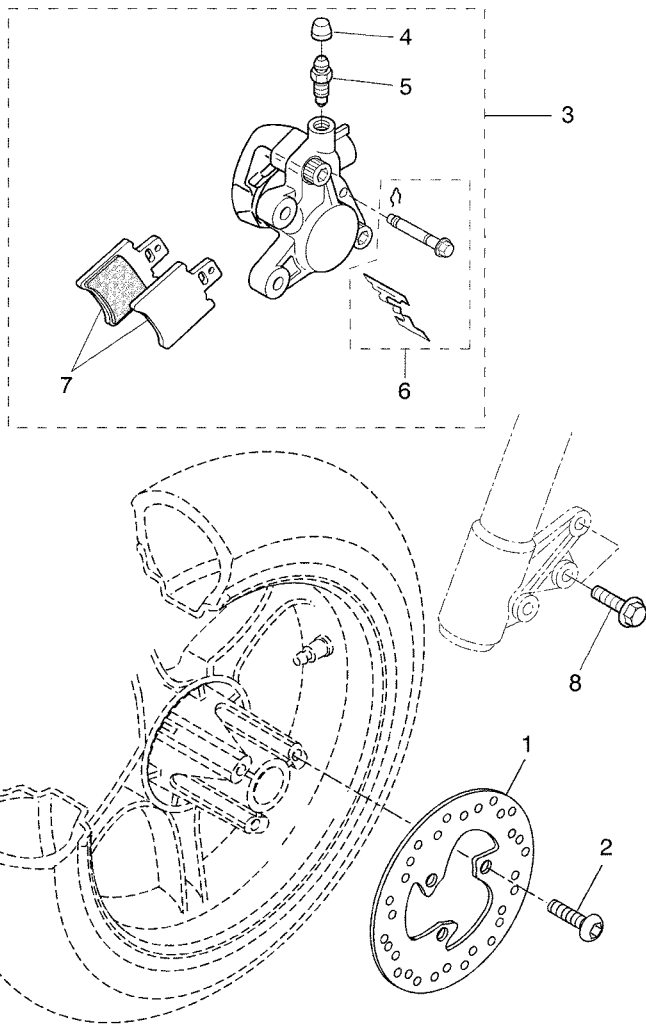
FIG. 24 FRONT WHEEL



5BR1354-7212

REF. NO.	PART NO.	DESCRIPTION	01	02	03	04	05	REMARKS
1	5BR-F5168-01	CAST WHEEL, FRONT	1	1	1	1	1	COLOR DARK GREY
2	93306-300Y8	.BEARING	2	2	2	2	2	
3	4SB-F5117-00	.SPACER, BEARING	1	1	1	1	1	
4	90387-10X00	COLLAR	1	1	1	1	1	
5	93106-20001	OIL SEAL	1	1	1	1	1	
6	*	TIRE (130/60-13 M/C 53L)	1	1	1	1	1	LM UR PIRELLI EVO
	*	TIRE (130/60-13 M/C 53P)	1	1	1	1	1	LM UR MICHELIN PI
7	5BR-F5170-00	AIR VALVE ASSY	1	1	1	1	1	
8	95607-10200	NUT, U FLANGE	1	1	1	1	1	
9	5BR-F2141-00	SHAFT, PIVOT	1	1	1	1	1	
10	5PU-F5190-00	GEAR UNIT ASSY	1	1	1	1	1	

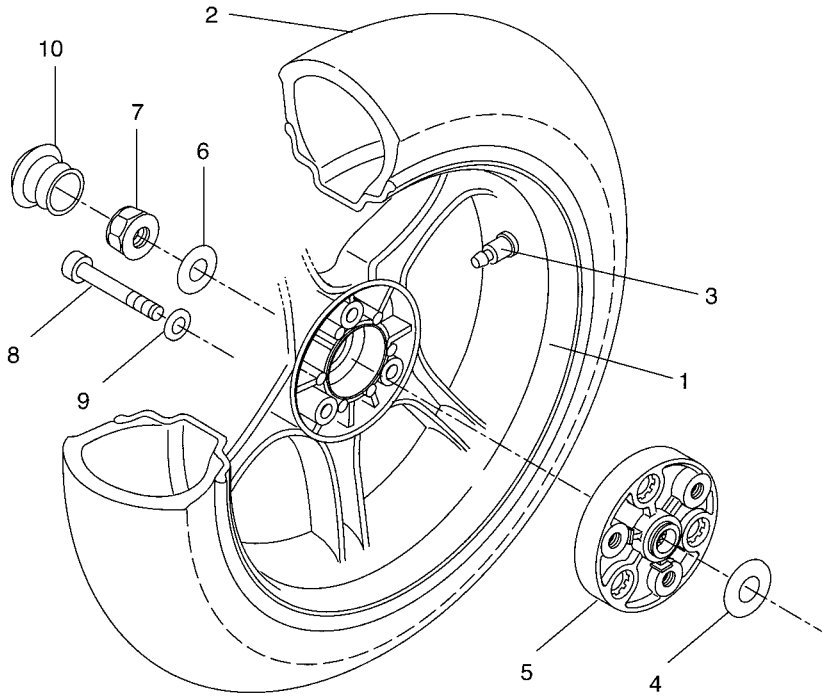
FIG. 25 FRONT BRAKE CALIPER



REF. NO.	PART NO.	DESCRIPTION	01	02	03	04	05	REMARKS
1	5JH-F5831-00	DISC, BRAKE (RIGHT)					1	(BREMBO)
	5JH-F5831-10	DISC, BRAKE (LEFT)	1	1	1	1		(NHK PRECISION)
2	90111-10X00	BOLT, HEX. SOCKET BUTTON	3	3	3	3	3	
3	5ME-F580T-10	CALIPER ASSY (LEFT)	1	1	1	1	1	(BREMBO)
4	4CU-F5825-00	.CAP	1	1	1	1	1	(BREMBO)
5	4CU-F5824-00	.SCREW, BLEED	1	1	1	1	1	(BREMBO)
6	5ME-F5919-00	.SUPPORT, PAD	1	1	1	1	1	(BREMBO)
7	5MF-F5811-00	.PAD, CALIPER 2	1	1	1	1	1	(BREMBO)
8	90105-08X00	BOLT, FLANGE	2	2	2	2	2	

5BR1354-7222

FIG. 26 REAR WHEEL

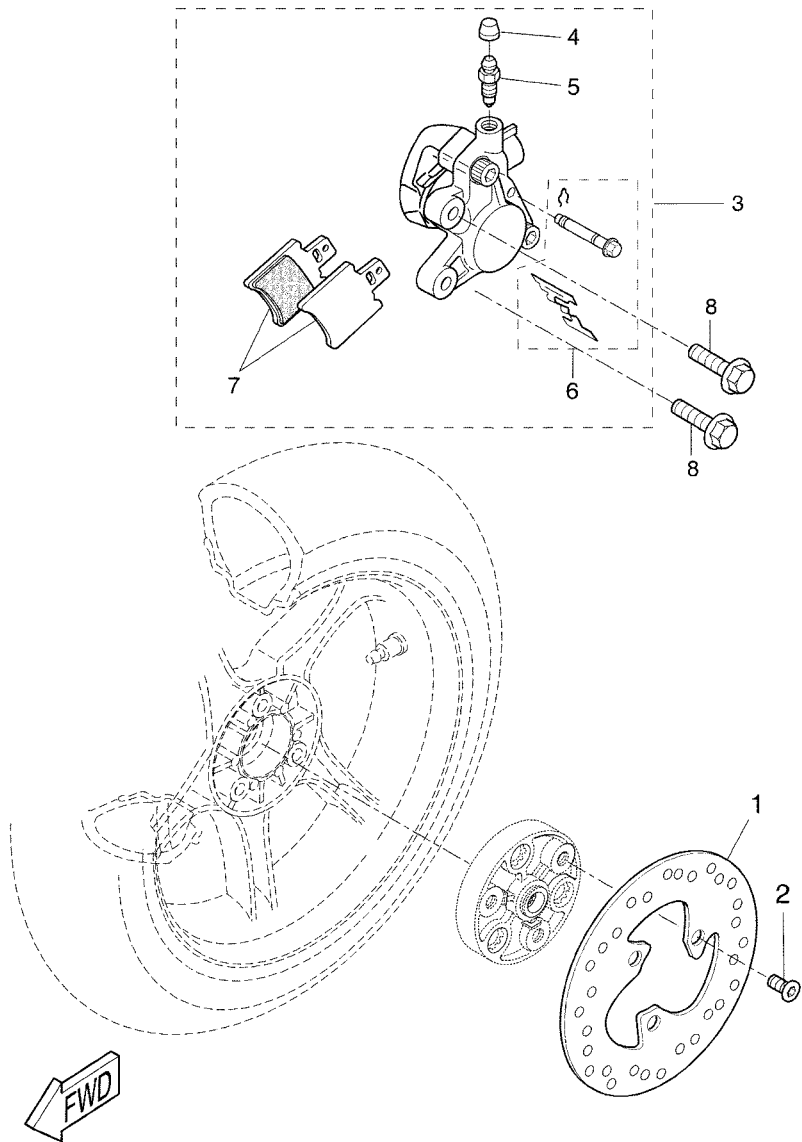


REF. NO.	PART NO.	DESCRIPTION	01	02	03	04	05	REMARKS
1	5BR-F5338-00	CAST WHEEL, REAR	1	1	1	1	1	COLOR DARK GREY
2	*	TIRE (140/60-13 M/C 57L)	1	1	1	1	1	LM UR PIRELLI EVO
	*	TIRE (140/60-13 M/C 57P)	1	1	1	1	1	LM UR MICHELIN PI
3	5BR-F5170-00	AIR VALVE ASSY	1	1	1	1	1	
4	90201-17X00	WASHER, PLATE	1	1	1	1	1	
5	5BR-F5311-00	HUB, REAR					1	
	5BR-F5311-10	HUB, REAR	1	1	1	1	1	
6	90201-142M6	WASHER, PLATE	1	1	1	1	1	
7	90185-14150	NUT, SELF-LOCKING	1	1	1	1	1	
8	90110-10X00	BOLT, HEXAGON SOCKET HEAD	3	3	3	3	3	
9	90201-10X01	WASHER, PLATE	3	3	3	3	3	
10	5BR-F532A-00	CAP, WHEEL	1	1	1	1	1	



5BR1354-7231

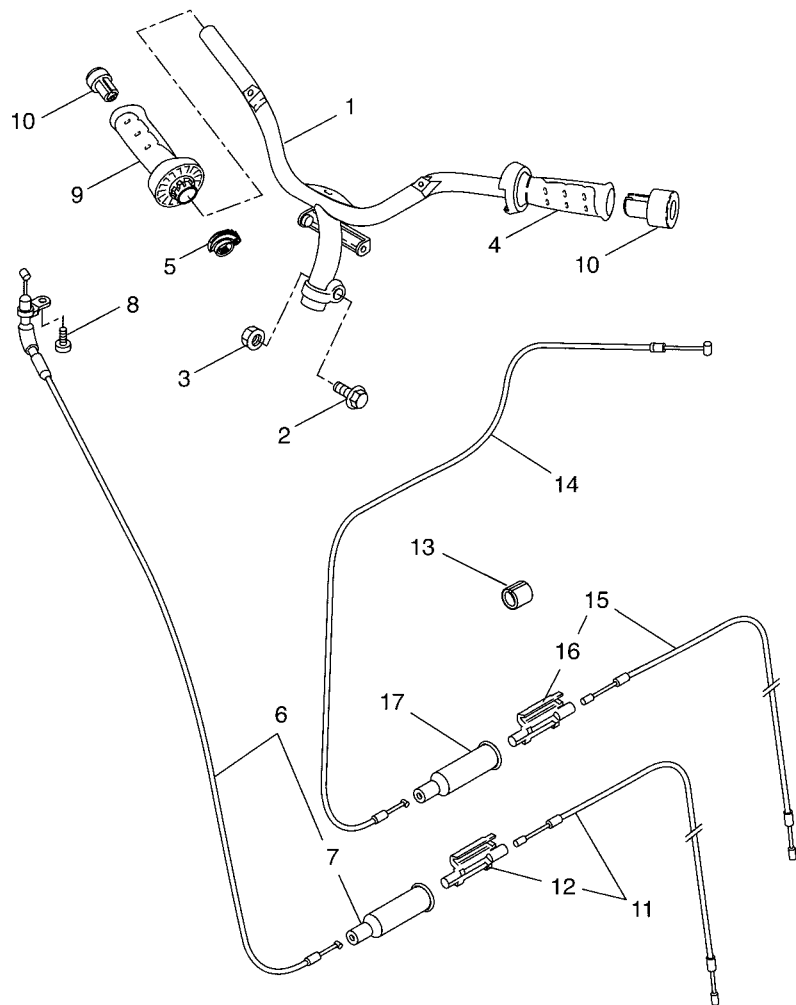
FIG. 27 REAR BRAKE CALIPER



5BR1354-7243

REF. NO.	PART NO.	DESCRIPTION	01	02	03	04	05	REMARKS
1	5JH-F5831-00	DISC, BRAKE (RIGHT)					1	(BREMBO)
	5JH-F5831-10	DISC, BRAKE (LEFT)	1	1	1	1		(NHK PRECISION)
2	90111-10X00	BOLT,HEX. SOCKET BUTTON	3	3	3	3	3	
3	5BR-F580V-10	CALIPER ASSY, REAR 1	1	1	1	1	1	(BREMBO)
4	4CU-F5825-00	.CAP	1	1	1	1	1	(BREMBO)
5	4CU-F5824-00	.SCREW, BLEED	1	1	1	1	1	(BREMBO)
6	5BR-F5919-10	.SUPPORT, PAD	1	1	1	1	1	(BREMBO)
7	5BR-F5811-10	.PAD, CALIPER 2	1	1	1	1	1	(BREMBO)
8	90105-08X00	BOLT, FLANGE	2	2	2	2	2	
<hr/>								
<hr/>								
<hr/>								
<hr/>								
<hr/>								
<hr/>								
<hr/>								
<hr/>								

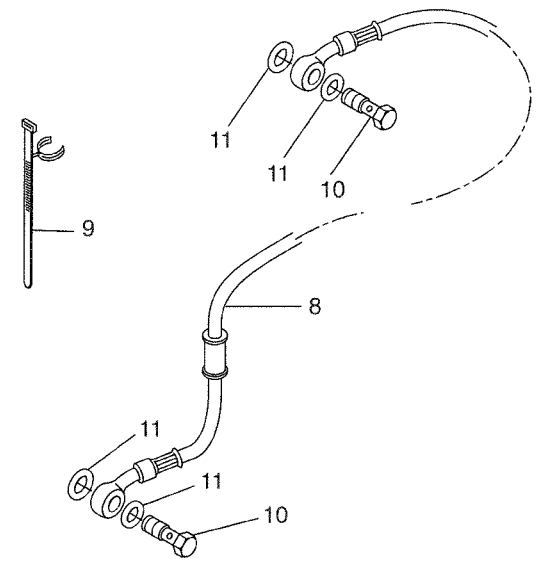
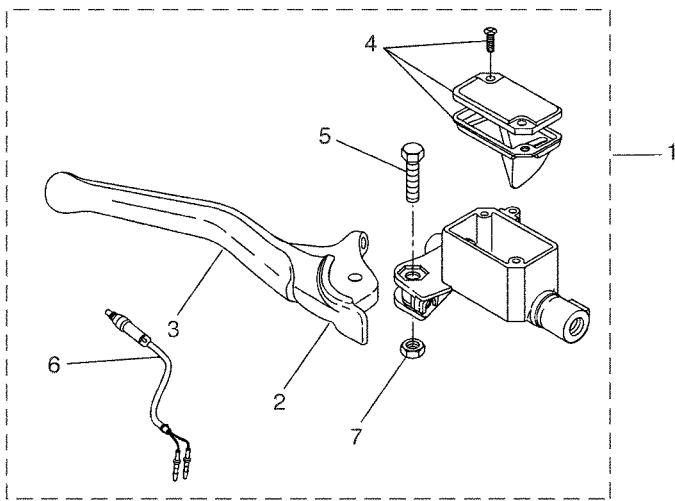
FIG. 28 STEERING HANDLE & CABLE



5PEAM00-A252

REF. NO.	PART NO.	DESCRIPTION	01	02	03	04	05	REMARKS
1	5BR-F6110-00	HANDLE COMP.	1	1	1	1	1	
2	90105-10036	BOLT, FLANGE	1	1	1	1	1	
3	90185-10154	NUT, SELF-LOCKING	1	1	1	1	1	
4	5BR-F6241-00	GRIP	1	1	1	1	1	
5	5BR-F6273-00	ROTOR	1	1	1	1	1	
6	5BR-F6311-00	CABLE, THROTTLE 1	1	1	1	1	1	
7	3WG-F6329-00	.CAP, RUBBER	1	1	1	1	1	
8	5BR-F632G-00	SCREW	1	1	1	1	1	
9	5BR-F6240-10	GRIP ASSY	1	1	1	1	1	
10	5BR-F6246-10	END, GRIP	2	2	2	2	2	
11	3VL-F6312-01	CABLE, THROTTLE 2	1	1	1	1	1	
12	3VL-F6261-00	.CONNECTOR, CABLE	1	1	1	1	1	
13	90468-15009	CLIP					1	
14	5BR-F6331-00	CABLE, STARTER 1					1	
15	3VL-F6334-02	CABLE, STARTER 2					1	
16	3VL-F6261-00	.CONNECTOR, CABLE					1	
17	3WG-F6329-00	CAP, RUBBER					1	

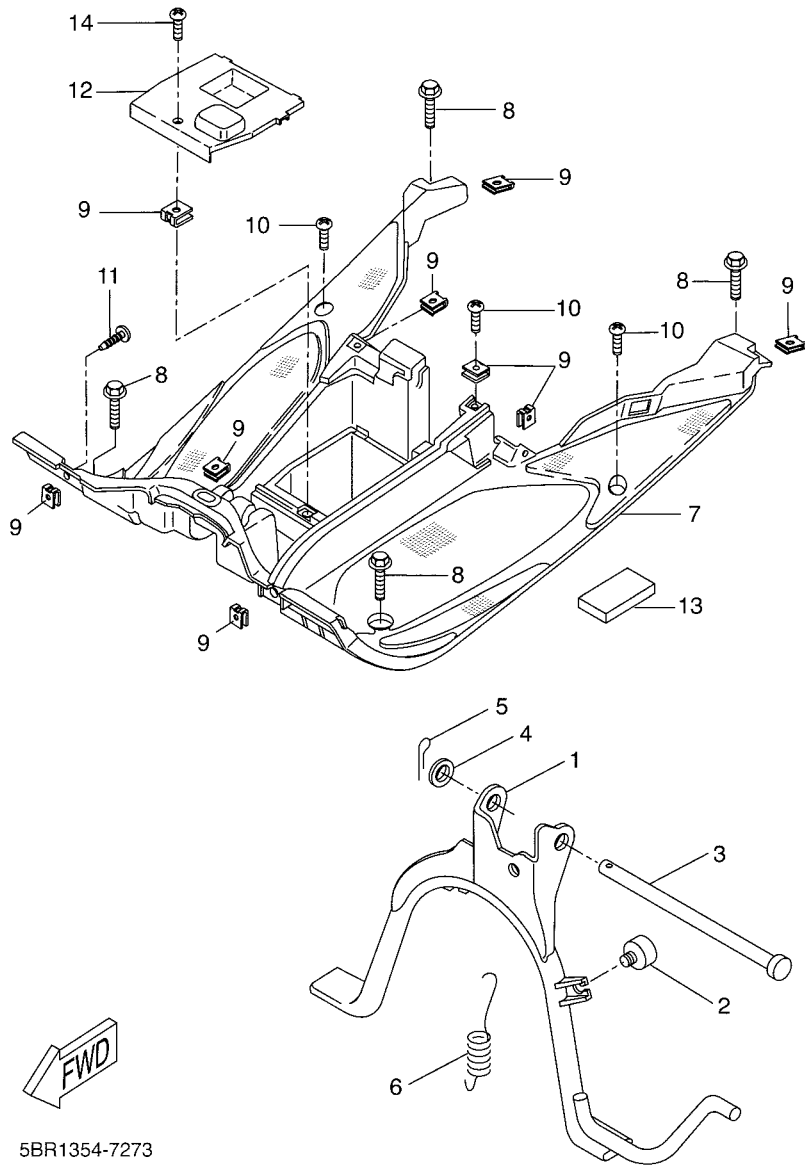
FIG. 29 FRONT MASTER CYLINDER



5WJ1300-B261

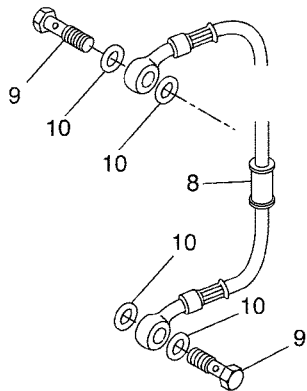
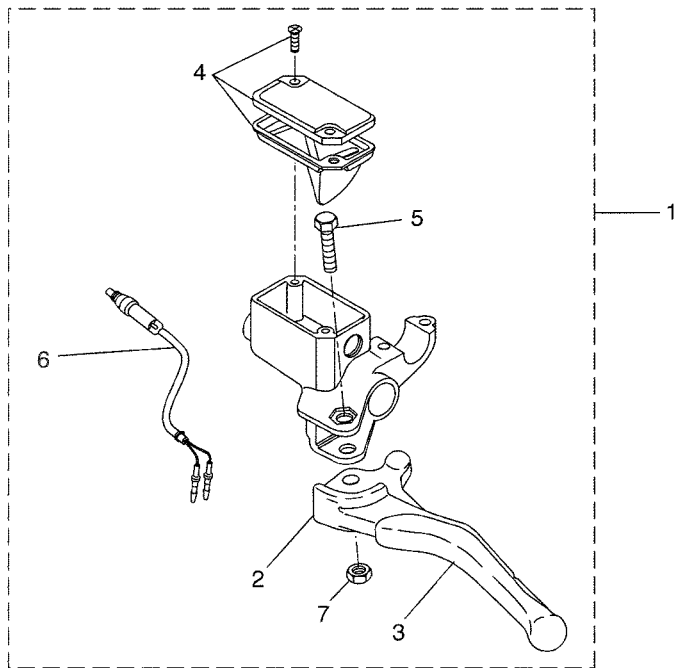
REF. NO.	PART NO.	DESCRIPTION	01	02	03	04	05	REMARKS
1	5BR-F583T-05	MASTER CYLINDER ASSY	1	1	1	1	1	
2	5BR-H3912-01	.LEVER 1	1	1	1	1	1	
3	5BR-H3935-00	.COVER	1	1	1	1	1	
4	4SB-F5852-10	.CAP, RESERVOIR	1	1	1	1	1	
5	4SB-H3945-00	.BOLT, LEVER	1	1	1	1	1	
6	5JH-H3980-02	.FRONT STOP SWITCH ASSY	1	1	1	1	1	
7	4SB-H3916-00	.NUT, LEVER FITTING	1	1	1	1	1	
8	5BR-F5872-51	HOSE, BRAKE 1	1	1	1	1	1	
9	5BR-F1336-00	CLAMP, WIRE HARNESS 2	1	1	1	1	1	220X7.0
10	90401-10X03	BOLT, UNION	2	2	2	2	2	
11	90201-10X03	WASHER, PLATE	4	4	4	4	4	

FIG. 30 STAND & FOOTREST



REF. NO.	PART NO.	DESCRIPTION	01	02	03	04	05	REMARKS
1	5ME-F7111-02	STAND, MAIN	1	1	1	1	1	
2	2JW-F7114-10	STOPPER, MAIN STAND	1	1	1	1	1	
3	90240-10137	PIN, CLEVIS	1	1	1	1	1	
4	90202-10120	WASHER, PLATE	1	1	1	1	1	
5	90468-12006	CLIP	1	1	1	1	1	
6	90506-35X00	SPRING, TENSION	1	1	1	1	1	
7	5BR-F7481-01	BOARD, FOOTREST	1	1	1	1	1	
8	90105-06X02	BOLT, FLANGE	4	4	4	4	4	
9	90183-05X00	NUT, SPRING	10	10	10	10	10	
10	90167-05X02	SCREW, TAPPING	4	4	4	4	4	
11	90167-05X01	SCREW, TAPPING	2	2	2	2	2	
12	5BR-H2129-00	COVER, BATTERY	1	1	1	1	1	
13	4SB-F174X-10	DAMPER	1	1	1	1	1	
14	90167-05X02	SCREW, TAPPING	1	1	1	1	1	

FIG. 31 REAR MASTER CYLINDER



5WJ1300-B281

REF. NO.	PART NO.	DESCRIPTION	01	02	03	04	05	REMARKS
1	5BR-F583V-05	RR. MASTER CYLINDER ASSY.	1	1	1	1	1	
2	5BR-H3912-01	.LEVER 1	1	1	1	1	1	
3	5BR-H3935-00	.COVER	1	1	1	1	1	
4	4SB-F5852-10	.CAP, RESERVOIR	1	1	1	1	1	
5	4SB-H3945-00	.BOLT, LEVER	1	1	1	1	1	
6	5JH-H3980-02	.FRONT STOP SWITCH ASSY	1	1	1	1	1	
7	4SB-H3916-00	.NUT, LEVER FITTING	1	1	1	1	1	
8	5BR-F5873-10	HOSE, BRAKE 2	1	1	1	1	1	
9	90401-10X03	BOLT, UNION	2	2	2	2	2	
10	90201-10X03	WASHER, PLATE	4	4	4	4	4	

D10

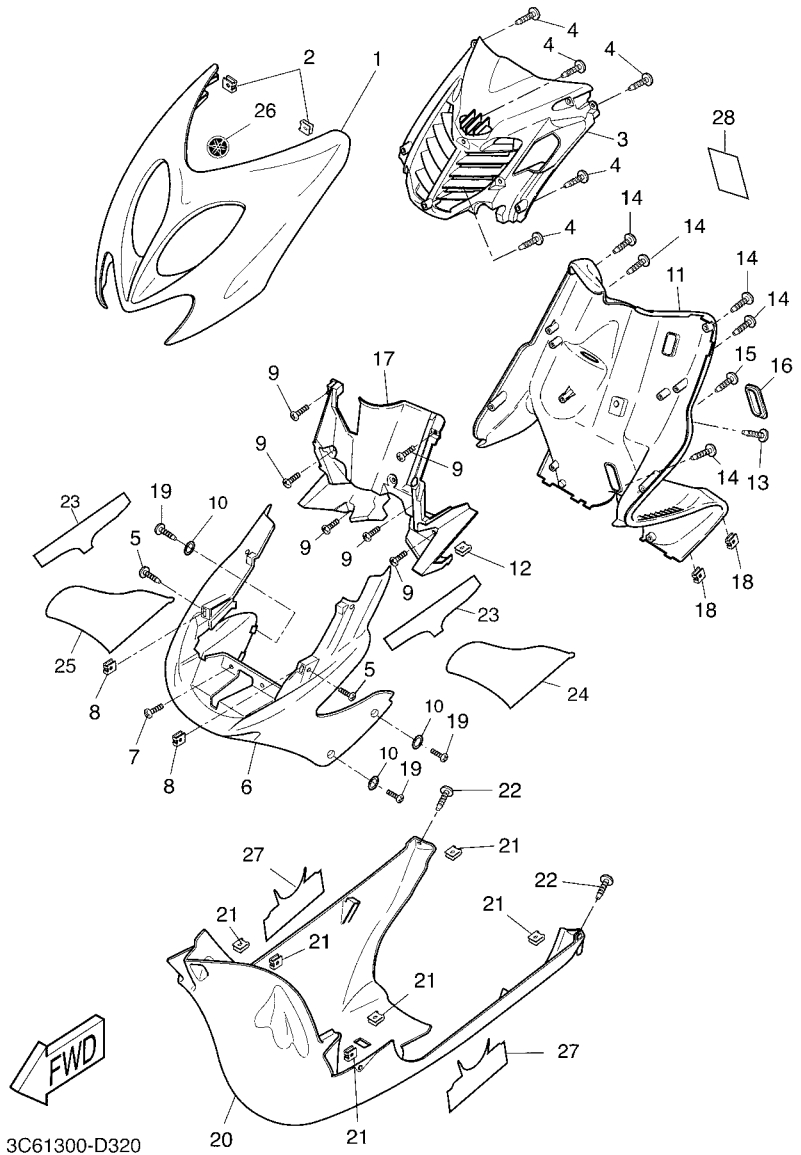


FIG. 32 LEG SHIELD

REF. NO.	PART NO.	DESCRIPTION	01	02	03	04	05	REMARKS
1	5BR-F835G-00-P5	BODY, FRONT UPPER 1	1	1	1	1	1	DPBMC
	5BR-F835G-00-PF	BODY, FRONT UPPER 1	1	1	1	1	1	SMX
	5BR-F835G-00-PG	BODY, FRONT UPPER 1	1	1	1	1	1	LNMR
2	90183-05X00	NUT, SPRING	2	2	2	2	2	
3	5BR-F837N-00	GRILL, AIR INTAKE 1	1	1	1	1	1	UR BLACK FOR DPBMC
	5BR-F837N-20	GRILL, AIR INTAKE 1	1	1	1	1	1	UR RED FOR LNMR
4	90167-05X01	SCREW, TAPPING	6	6	6	6	6	
5	90167-05X02	SCREW, TAPPING	2	2	2	2	2	
6	5BR-F835J-00-P7	BODY, FRONT LOWER 1	1	1	1	1	1	DPBMC
	5BR-F835J-00-PJ	BODY, FRONT LOWER 1	1	1	1	1	1	SMX
	5BR-F835J-00-PL	BODY, FRONT LOWER 1	1	1	1	1	1	LNMR
7	90111-06X01	BOLT,HEX. SOCKET BUTTON	2	2	2	2	2	
8	90183-05X00	NUT, SPRING	2	2	2	2	2	
9	90167-05X01	SCREW, TAPPING	6	6	6	6	6	
10	90202-05X00	WASHER, PLATE	4	4	4	4	4	
11	5BR-F8311-00	LEG SHIELD 1	1	1	1	1	1	
12	90183-05X00	NUT, SPRING	2	2	2	2	2	
13	90159-06093	SCREW, WITH WASHER	1	1	1	1	1	
14	90167-05X02	SCREW, TAPPING	5	5	5	5	5	
15	90167-05X01	SCREW, TAPPING	2	2	2	2	2	
16	3WV-F8349-10	CAP	1	1	1	1	1	
17	5BR-F836K-01	PANEL, INNER 1	1	1	1	1	1	
18	90183-05X00	NUT, SPRING	2	2	2	2	2	
19	90167-05X01	SCREW, TAPPING	4	4	4	4	4	
20	5BR-F8385-21	COVER, LOWER	1	1	1	1	1	UR FOR SMX
	5BR-F8385-51	COVER, LOWER	1	1	1	1	1	UR FOR DPBMC
	5BR-F8385-71	COVER, LOWER	1	1	1	1	1	UR FOR LNMR

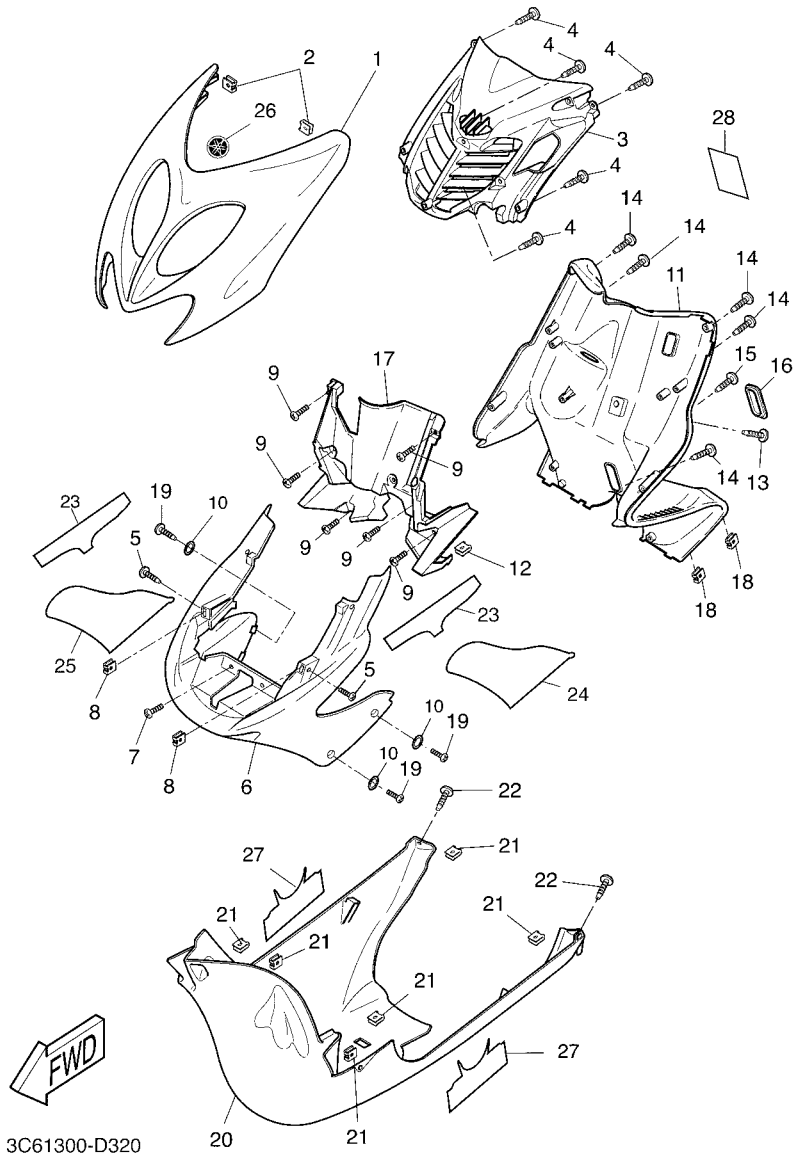
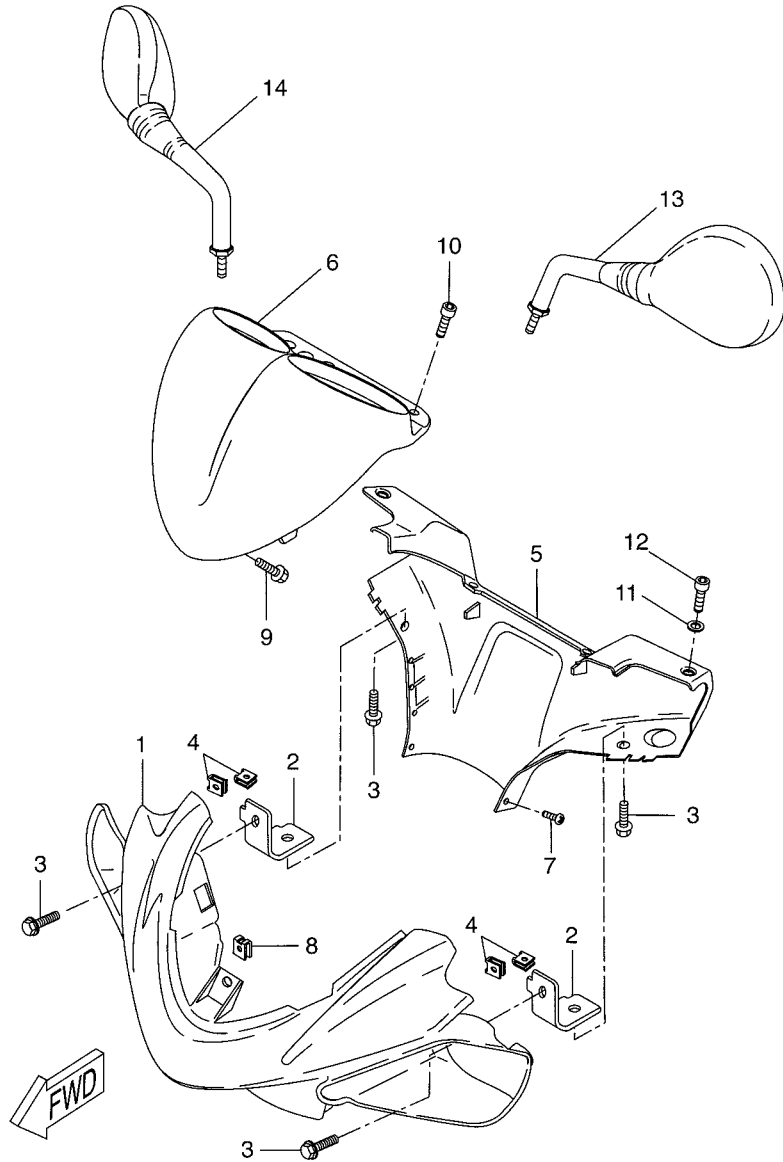


FIG. 32 LEG SHIELD

REF. NO.	PART NO.	DESCRIPTION	01	02	03	04	05	REMARKS
21	90183-05X00	NUT, SPRING	6	6	6	6	6	
22	90167-05X02	SCREW, TAPPING	2	2	2	2	2	
23	3C6-F8391-00	GRAPHIC 1	2	2	2	2	2	UR FOR DPBMC
	3C6-F8391-10	GRAPHIC 1	2	2	2	2	2	UR FOR LNMR
	3C6-F8391-20	GRAPHIC 1	2	2	2	2	2	UR FOR SMX
24	3C6-F8392-00	GRAPHIC 2	1	1	1	1	1	UR FOR DPBMC
	3C6-F8392-10	GRAPHIC 2	1	1	1	1	1	UR FOR LNMR
	3C6-F8392-20	GRAPHIC 2	1	1	1	1	1	UR FOR SMX
25	3C6-F8393-00	GRAPHIC 3	1	1	1	1	1	UR FOR DPBMC
	3C6-F8393-10	GRAPHIC 3	1	1	1	1	1	UR FOR LNMR
	3C6-F8393-20	GRAPHIC 3	1	1	1	1	1	UR FOR SMX
26	X01-F153A-10	EMBLEM, YAMAHA	1	1	1	1	1	
27	5BR-F8328-00	EMBLEM	2	2	2	2	2	UR FOR DPBMC/LNMR
	5BR-F8328-30	EMBLEM	2	2	2	2	2	UR FOR SMX
28	5WW-F1568-00	LABEL, WARNING	1	1	1	1	1	

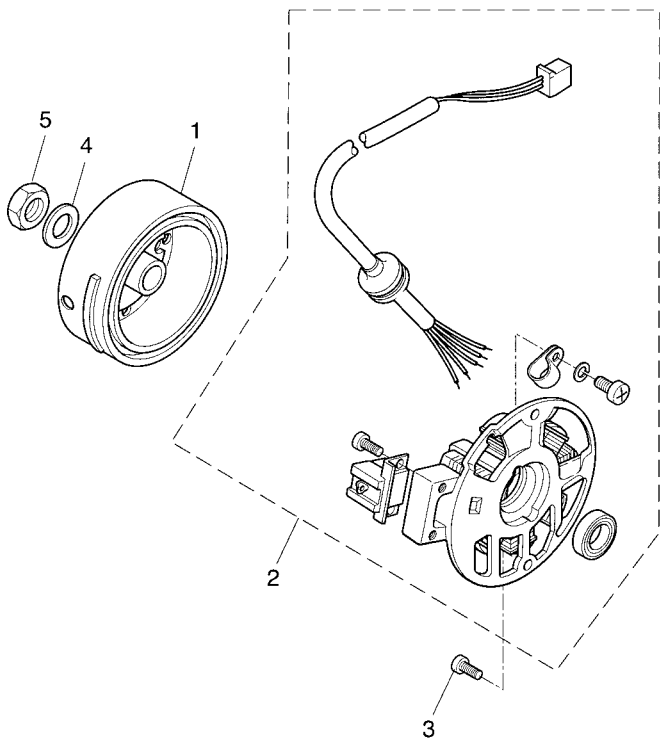


3C61300-D330

FIG. 33 COWLING 1

REF. NO.	PART NO.	DESCRIPTION	01	02	03	04	05	REMARKS
1	5BR-F6143-01-P5	COVER, HANDLEBAR UPPER 1	1	1	1	1	1	DPBMC FOR DPBMC
	5BR-F6143-01-PJ	COVER, HANDLEBAR UPPER 1	1	1	1	1	1	MBL2 FOR LNMR/SMX
2	5PU-F612E-00	BRACKET	2	2	2	2	2	
3	90167-05X02	SCREW, TAPPING	4	4	4	4	4	
4	90183-05X00	NUT, SPRING	4	4	4	4	4	
5	5BR-F6145-01	COVER, HANDLEBAR UPPER 2	1	1	1	1	1	
6	5BR-F6213-00-P6	COVER, UPPER	1	1	1	1	1	LNMR FOR LNMR
	5BR-F6213-00-P7	COVER, UPPER	1	1	1	1	1	MBL2 FOR DPBMC/SM
7	90159-05134	SCREW, WITH WASHER	2	2	2	2	2	
8	90183-05X00	NUT, SPRING	1	1	1	1	1	
9	90167-05X02	SCREW, TAPPING	1	1	1	1	1	
10	90110-05X01	BOLT, HEXAGON SOCKET HEAD	2	2	2	2	2	
11	90201-06X01	WASHER, PLATE	2	2	2	2	2	
12	90110-05X01	BOLT, HEXAGON SOCKET HEAD	2	2	2	2	2	
13	5BR-F6280-10	REAR VIEW MIRROR ASSY (LEFT)	1	1	1	1	1	
14	5BR-F6290-10	REAR VIEW MIRROR ASSY (RIGHT)	1	1	1	1	1	

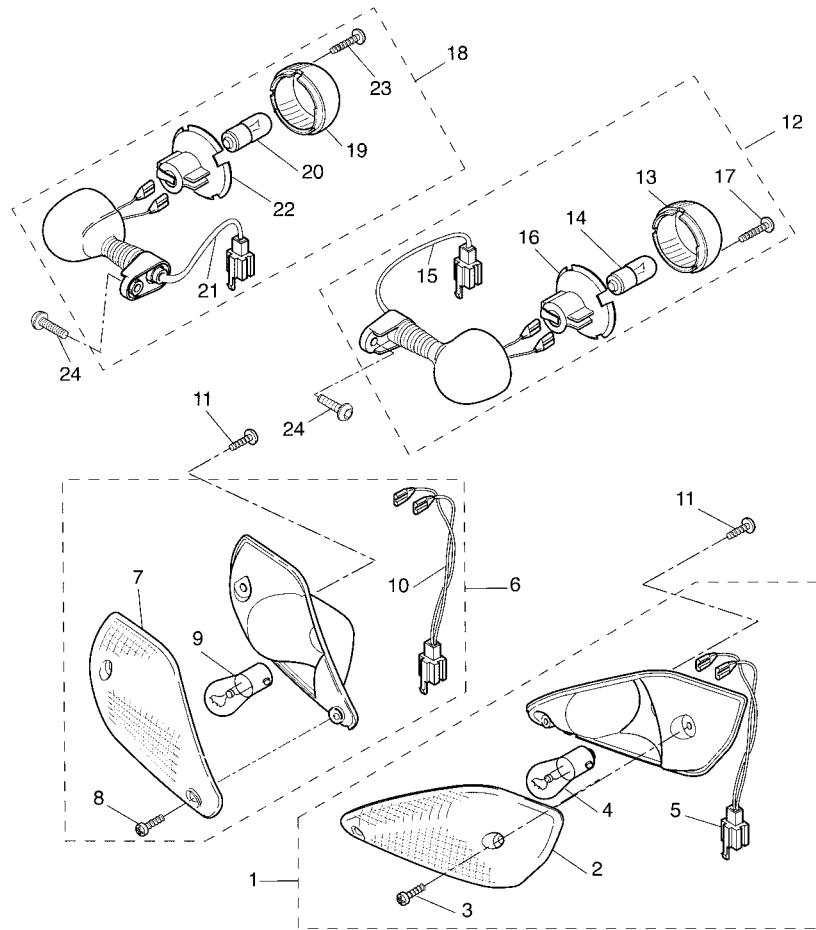
FIG. 34 GENERATOR



5SB1300-B311

REF. NO.	PART NO.	DESCRIPTION	01	02	03	04	05	REMARKS
1	5BM-H1450-00	ROTOR ASSY	1	1	1	1	1	
2	5BM-H1410-00	STATOR ASSY	1	1	1	1	1	
3	98507-06016	SCREW, PAN HEAD	2	2	2	2	2	
4	90201-10X02	WASHER, PLATE	1	1	1	1	1	
5	90170-10219	NUT	1	1	1	1	1	

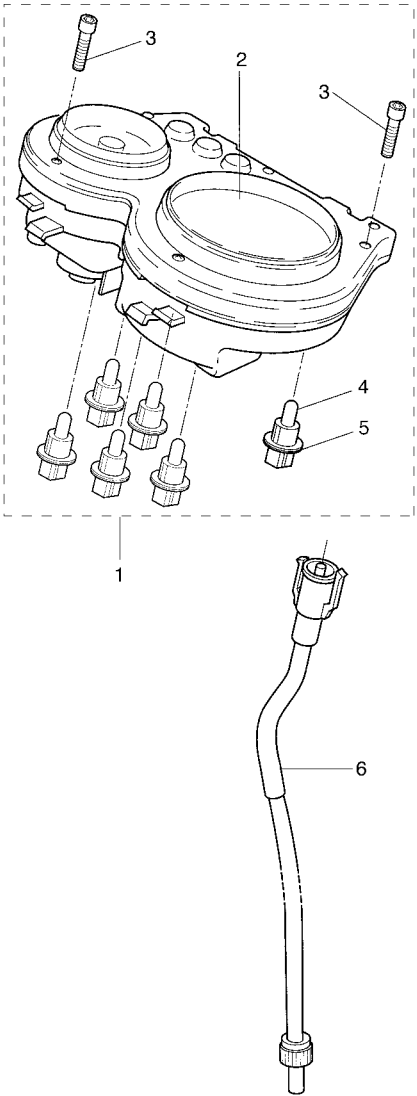
FIG. 35 FLASHER LIGHT



5BR1354-7322

REF. NO.	PART NO.	DESCRIPTION	01	02	03	04	05	REMARKS
1	5BR-H3310-10	FRONT FLASHER LIGHT ASSY 1	1	1	1	1	1	
2	5BR-H3312-10	.LENS, FLASHER	1	1	1	1	1	
3	5BR-H3333-00	.SCREW, LENS FITTING	2	2	2	2	2	
4	NDH-H3311-00-01	.BULB (12V-10W)	1	1	1	1	1	
5	5BR-H331N-00	.WIRE, LEAD	1	1	1	1	1	
6	5BR-H3320-10	FRONT FLASHER LIGHT ASSY 2	1	1	1	1	1	
7	5BR-H3322-10	.LENS, FLASHER 2	1	1	1	1	1	
8	5BR-H3333-00	.SCREW, LENS FITTING	2	2	2	2	2	
9	NDH-H3311-00-01	.BULB (12V-10W)	1	1	1	1	1	
10	5BR-H332N-00	.WIRE, LEAD 2	1	1	1	1	1	
11	90167-05X01	SCREW, TAPPING	2	2	2	2	2	
12	5HE-H3330-00	REAR FLASHER LIGHT ASSY 1	1	1	1	1	1	
13	5HE-H3332-00	.LENS, FLASHER	1	1	1	1	1	
14	NDH-H3311-00-01	.BULB (12V-10W)	1	1	1	1	1	
15	5HE-H3336-00	.CORD	1	1	1	1	1	
16	5HE-H333L-00	.LENS, INNER 1	1	1	1	1	1	
17	5HE-H3333-00	.SCREW, LENS FITTING	1	1	1	1	1	
18	5HE-H3340-00	REAR FLASHER LIGHT ASSY 2	1	1	1	1	1	
19	5HE-H3342-00	.LENS, FLASHER 2	1	1	1	1	1	
20	NDH-H3311-00-01	.BULB (12V-10W)	1	1	1	1	1	
21	5HE-H3346-00	.CORD	1	1	1	1	1	
22	5HE-H333L-00	.LENS, INNER 1	1	1	1	1	1	
23	5HE-H3333-00	.SCREW, LENS FITTING	1	1	1	1	1	
24	90105-06841	BOLT, FLANGE	2	2	2	2	2	

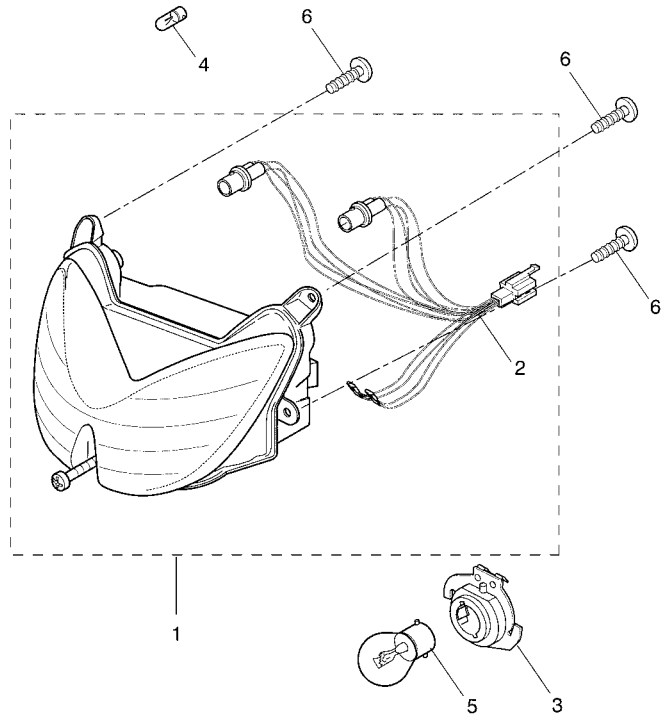
FIG. 36 METER



REF. NO.	PART NO.	DESCRIPTION	01	02	03	04	05	REMARKS
1	5PU-H3510-30	SPEEDOMETER ASSY	1	1	1	1	1	
2	5PU-H353K-00	.GLASS PLATE	1	1	1	1	1	
3	5PU-H3546-00	.BOLT	3	3	3	3	3	
4	5PU-H4744-00	.BULB (12V-1.7W)	6	6	6	6	6	
5	5PU-H3534-00	.SOCKET, NEUTRAL	6	6	6	6	6	
6	5PU-H3550-01	SPEEDOMETER CABLE ASSY	1	1	1	1	1	



5PE6300-1330

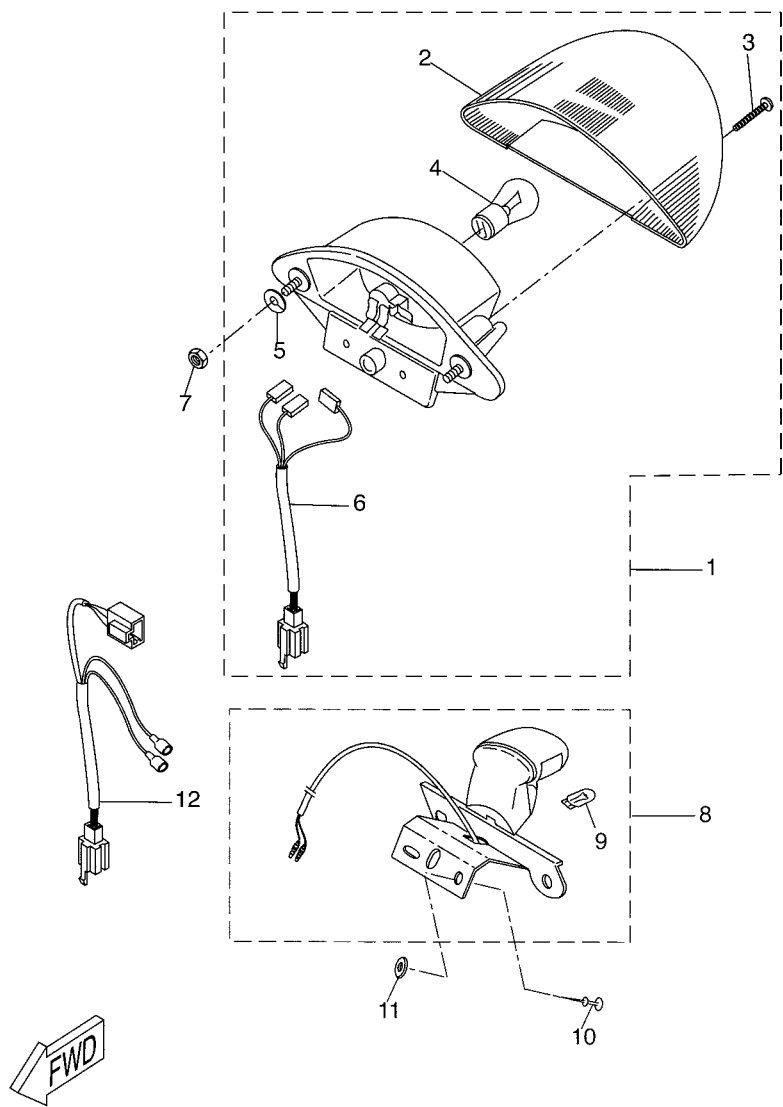


5BR1354-7342

FIG. 37 HEADLIGHT

REF. NO.	PART NO.	DESCRIPTION						REMARKS
			01	02	03	04	05	
1	5BR-H4320-01	LENS ASSY	1	1	1	1	1	
2	5BR-H4312-01	.CORD ASSY	1	1	1	1	1	
3	4JC-H4340-00	SOCKET CORD ASSY 1	1	1	1	1	1	
4	3WW-H4347-00	BULB (12V-5W)	2	2	2	2	2	
5	4SB-H4314-00	BULB HEADLIGHT (12V-35/35W)	1	1	1	1	1	BA20D 12V 35/35W
6	90167-05X01	SCREW, TAPPING	4	4	4	4	4	

FIG. 38 TAILLIGHT



5WJ5300-B370

REF. NO.	PART NO.	DESCRIPTION	01	02	03	04	05	REMARKS
1	5BR-H4700-01	TAILLIGHT ASSY	1	1	1	1	1	
2	5BR-H472F-00	.LENS, LICENCE LIGHT	1	1	1	1	1	
3	5BR-H4726-00	.SCREW	2	2	2	2	2	
4	3HL-H4535-00	.BULB (12V-21/5W)	1	1	1	1	1	
5	5BR-H4754-00	.WASHER, SPECIAL	2	2	2	2	2	
6	5BR-H4735-00	.CORD ASSY	1	1	1	1	1	
7	90179-06X00	NUT	3	3	3	3	3	
8	5ME-H4740-00	LICENCE LIGHT ASSY					1	
9	5FV-H3517-00	.BULB (12V-5W)					1	
10	90267-48X02	RIVET, BLIND					2	
11	90201-05X00	WASHER, PLATE					2	
12	5WJ-H4547-00	CORD, LICENCE LIGHT					1	

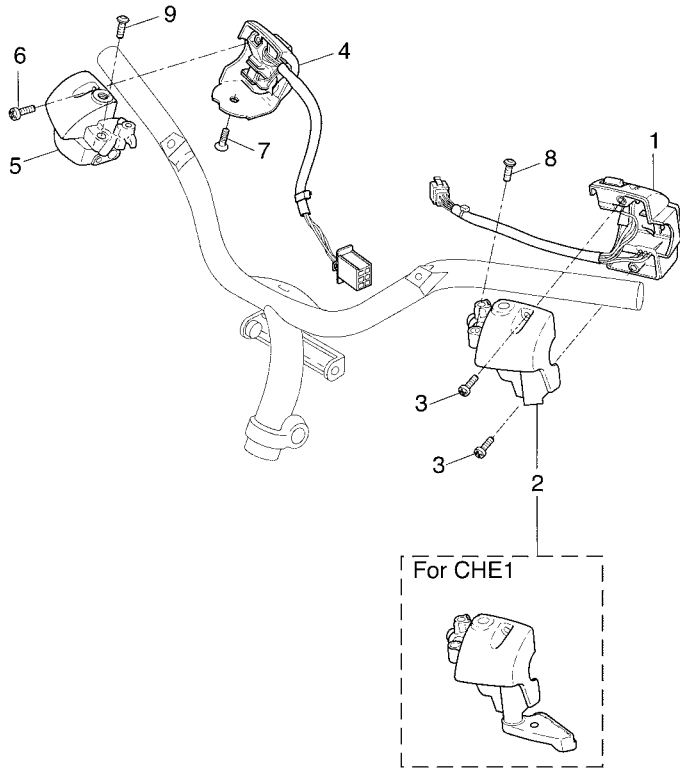


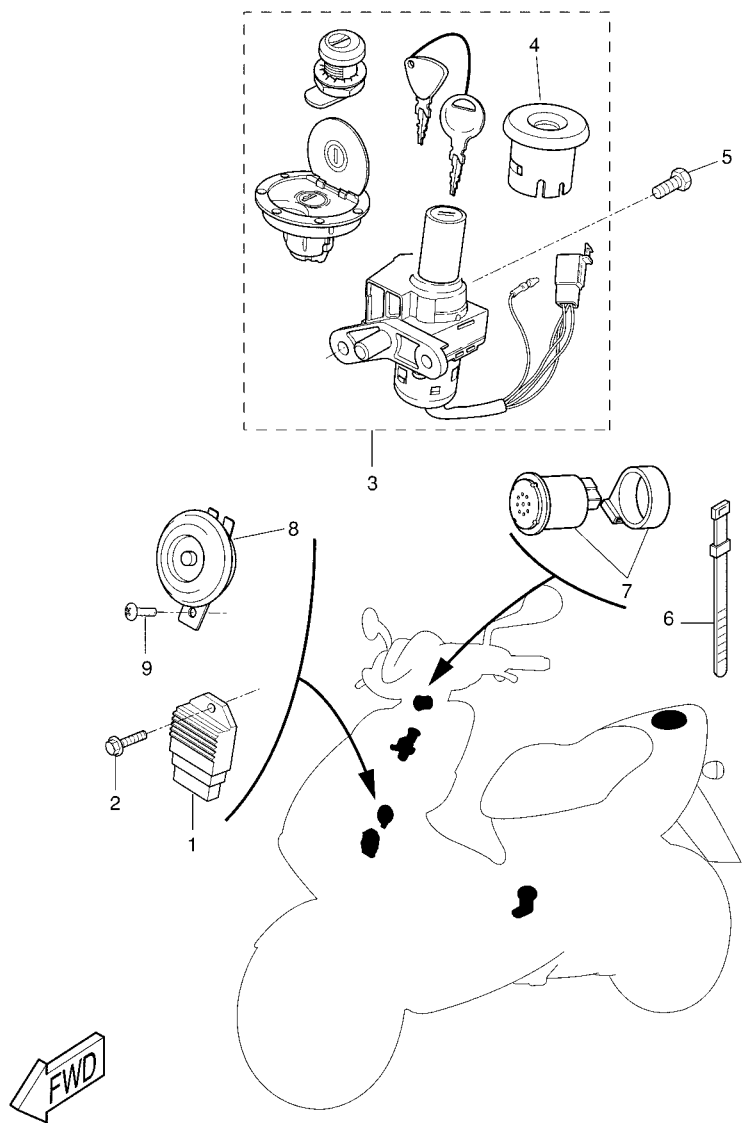
FIG. 39 HANDLE SWITCH & LEVER

REF. NO.	PART NO.	DESCRIPTION						REMARKS
			01	02	03	04	05	
1	5BR-H3973-10	SWITCH, HANDLE 3	1	1	1	1	1	
2	5BR-H3940-00	STARTER ASSY						1
	5SB-H3987-00	CASE, SWITCH LOWER	1	1	1	1		
3	5BR-H3992-00	SCREW, LEVER 2	2	2	2	2	2	
4	5WJ-H3972-00	SWITCH, HANDLE 4	1	1	1	1	1	
5	5BR-H3987-01	CASE, SWITCH LOWER	1	1	1	1	1	
6	5BR-H3992-00	SCREW, LEVER 2	1	1	1	1	1	
7	5BR-H3928-00	SCREW, ADJUSTING	1	1	1	1	1	
8	90111-06X01	BOLT,HEX. SOCKET BUTTON	2	2	2	2	2	
9	90111-06X01	BOLT,HEX. SOCKET BUTTON	2	2	2	2	2	



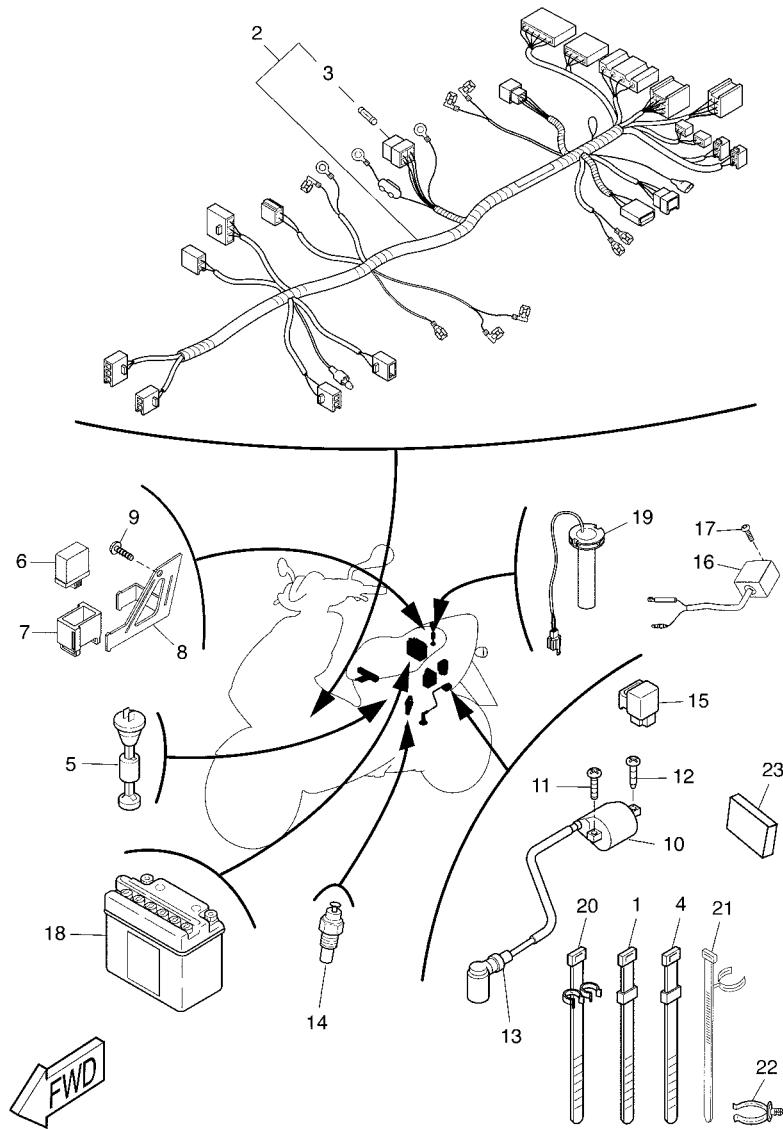
5SB6300-C390

FIG. 40 ELECTRICAL 1



5BR1354-7371

REF. NO.	PART NO.	DESCRIPTION	01	02	03	04	05	REMARKS
1	5RN-H1960-00	RECTIFIER & REGULATOR ASSY	1	1	1	1	1	
2	90154-06X01	SCREW, BINDING	1	1	1	1	1	
3	5WJ-H2021-10	KEY SET	1	1	1	1	1	
4	5AD-H2552-00	.CAP, SWITCH	1	1	1	1	1	
5	90109-06851	BOLT	2	2	2	2	2	
6	4VU-H3936-01	BAND, SWITCH CORD	1	1	1	1	1	95.7X2.50
7	5XW-H3350-00	FLASHER RELAY ASSY	1	1	1	1	1	
8	5SB-H3371-00	HORN	1	1	1	1	1	
9	98507-06010	SCREW, PAN HEAD	1	1	1	1	1	



5SB1300-B380

FIG. 41 ELECTRICAL 2

REF. NO.	PART NO.	DESCRIPTION	01	02	03	04	05	REMARKS
1	4KH-H3936-01	BAND, SWITCH CORD	1	1	1	1	1	249X4.80
2	5SB-H2590-00	WIRE HARNESS ASSY	1	1	1	1		
	5WJ-H2590-10	WIRE HARNESS ASSY					1	
3	5BR-H2151-00	.FUSE 7.5A	1	1	1	1	1	
4	4KH-H3936-01	BAND, SWITCH CORD	4	4	4	4	4	249X4.80
5	3VL-H5720-10	OIL LEVEL GAUGE ASSY	1	1	1	1	1	
6	5BM-H5540-00	C.D.I. UNIT ASSY	1	1	1	1	1	
7	5WJ-H5546-00	BAND	1	1	1	1	1	
8	5ME-H553A-01	STAY UNIT	1	1	1	1	1	
9	90154-06X01	SCREW, BINDING	1	1	1	1	1	
10	4BE-H2310-00	IGNITION COIL ASSY	1	1	1	1	1	
11	90153-06034	SCREW, HEXAGON	1	1	1	1	1	
12	90105-06841	BOLT, FLANGE	1	1	1	1	1	
13	5PE-H2370-00	PLUG CAP ASSY	1	1	1	1	1	
14	5BS-H3605-02	SENDER, WATER	1	1	1	1	1	
15	27V-81940-02	STARTER RELAY ASSY	1	1	1	1	1	TATEISHI
16	5RN-H5741-00	UNIT, CONTROL	1	1	1	1		
17	90154-06X00	SCREW, BINDING	1	1	1	1		
18	4CU-H2110-20	BATTERY ASSY	1	1	1	1	1	UR GS 12V 4Ah
	4SB-H2110-00	BATTERY ASSY	1	1	1	1	1	UR YUASA 12V 4Ah
19	5ME-H5752-00	SENDER UNIT ASSY, FUEL METER	1	1	1	1	1	
20	5BR-F1335-00	CLAMP, WIRE HARNESS 1	1	1	1	1	1	215X7.0
21	5BR-F1336-00	CLAMP, WIRE HARNESS 2	2	2	2	2	2	220X7.0
22	5BR-F1337-00	CLAMP, CABLE	1	1	1	1	1	
23	5BR-F174X-00	DAMPER	2	2	2	2	2	

NUMERICAL INDEX

PART NO.	GRID NO.	PART NO.	GRID NO.	PART NO.	GRID NO.	PART NO.	GRID NO.	PART NO.	GRID NO.	PART NO.	GRID NO.
3AA-13124-00	B - 6	3VL-E3178-00	B - 6	3WG-E4451-00	B - 7	3VL-E5461-00	B - 14	5PE-F1579-20	C - 7	4TD-F3145-00	C - 13
1YU-13185-00	B - 6	5BR-E3487-00	B - 6		B - 8	4CU-E5462-00	B - 14	5PE-F1579-40	C - 7	5ME-F3145-30	C - 13
1YU-13187-00	B - 6	4CU-E3555-00	B - 7	5CN-E4451-00	B - 7	4CU-E5532-00	C - 2	5BR-F1629-00	C - 7	4TD-F3147-00	C - 12
1YU-13473-00	B - 6		B - 8	3WG-E4452-00	B - 7	5AD-E5601-00	C - 2	5BR-F1642-00	C - 7	5ME-F3147-30	C - 12
1YU-13516-00	B - 6	4CU-E3610-00	B - 7		B - 8	5FX-E5620-20	C - 2	5BR-F1642-10	C - 7	4TD-F3153-00	C - 12
1YU-13577-00	B - 6		B - 8	3YJ-E4453-00	B - 7	4SB-E5631-00	C - 2	5BR-F1705-00	C - 10	4TD-F3154-00	C - 12
5FC-14803-00	B - 11	4CU-E3621-00	B - 7		B - 8	4SB-E5650-00	C - 2	5BR-F1711-10	C - 8	4TD-F3156-00	C - 12
5WJ-14D36-00	B - 10		B - 8	5BR-E4459-00	B - 15	3VL-E5657-00	C - 3	5DN-F1711-10	C - 8	5ME-F3156-30	C - 13
5WJ-14D41-00	B - 10	4SB-E4103-01	B - 10	5PE-E4610-20	B - 13	3VL-E5659-00	B - 14	5BR-F1716-00	C - 8	4CU-F3165-00	C - 13
5WJ-14D81-00	B - 10	4SB-E4104-00	B - 10	5SB-E4610-30	B - 11		C - 2	5BR-F1721-10	C - 8	5ME-F3165-30	C - 13
3AA-15513-00	C - 2	5EU-E410A-00	B - 9	5SB-E4610-40	B - 11	3VL-E5673-00	C - 2	5DN-F1721-10	C - 8	4TD-F3181-00	C - 13
3KJ-15528-00	C - 2	4SB-E4133-01	B - 10	5AD-E4613-00	B - 11	3VL-E6111-00	C - 3	5BR-F1731-03-P7	C - 8	5ME-F3181-30	C - 13
3VL-15570-00	C - 2	4SB-E4134-00	B - 10		B - 13	5JH-E6611-00	C - 3	5BR-F1731-03-PJ	C - 8	4TD-F3183-00	C - 12
3KJ-21481-00	C - 6	4SB-E4137-00	B - 10	5PE-E4729-00	B - 11	5RH-E6620-00	C - 3	5BR-F1731-03-PK	C - 8	5ME-F3183-30	C - 12
22F-23411-01	C - 13	5BR-E4148-10	B - 2		B - 13	5RH-E6626-00	C - 3	3C6-F173E-00	C - 8	5ME-F3340-10	C - 12
22F-23412-01	C - 13	5EU-E414H-00	B - 9	5PE-E4747-01	B - 11	3WT-E7410-00	C - 5	3C6-F173E-10	C - 8	5ME-F3340-30	C - 12
3VP-23416-00	C - 13	5BR-E4159-00	B - 2		B - 13	3WT-E7420-00	C - 5	3C6-F173F-20	C - 8	4TD-F3394-00	C - 12
22F-2341E-00	C - 13	5EU-E4198-00	B - 9	3WG-E4766-00	B - 11	3VL-E7604-00	C - 3	3C6-F173F-00	C - 9	5ME-F3394-30	C - 12
5BM-81801-01	C - 2	5EU-E4205-00	B - 9		B - 13	5WW-E7611-00	C - 3	3C6-F173F-10	C - 9	5DS-F3418-00	C - 13
5BM-81861-00	C - 2	5EU-E4216-00	B - 9	3WG-E4766-10	B - 11	5WW-E7620-00	C - 3	3C6-F173F-20	C - 9	21L-F3462-00	C - 13
27V-81940-02	E - 7	5EU-E4216-10	B - 9		B - 13	3VL-E7623-00	C - 3	5BR-F1741-03-P7	C - 8	5ME-F387J-30	C - 12
5HE-E1111-00	B - 2	5EU-E4216-20	B - 9	5EU-E4779-00	B - 11	4FG-E7632-00	C - 3	5BR-F1741-03-PJ	C - 8	5BR-F4110-01	C - 14
5BR-E1193-00	B - 2	5EU-E4243-00	B - 9		B - 13	5RN-E7641-00	C - 3	5BR-F1741-03-PK	C - 8	5DN-F415A-10	D - 2
5BR-E1194-00	B - 2	5SB-E4301-00	B - 9	5RJ-E4806-00	B - 11	3VL-E7653-00	C - 3	5BR-F174X-00	E - 7	4SB-F4312-11	C - 14
5BR-E1311-00	B - 2	5BR-E4312-00	B - 10	5SB-E4881-00	B - 11	5PE-E7654-00	C - 4	4SB-F174X-10	D - 9	4SB-F4318-11	C - 14
5BR-E1351-00	B - 2	5EU-E4331-00	B - 9	5SB-E4882-00	B - 11	5EU-E7660-00	C - 3	3WG-F1771-00	C - 10	4SB-F4335-11	C - 14
5WJ-E1400-00	B - 3	4SB-E4331-01	B - 10	5SB-E4883-00	B - 11	5EU-E7664-00	C - 3	5BR-F177E-00	C - 8	5BR-F4500-00	C - 14
4SB-E1603-00	B - 3	5EU-E4341-00	B - 9	5WJ-E4D01-00	B - 10	5EU-E7670-00	C - 3	5BR-F2141-00	D - 3	5EU-F4501-00	C - 14
4SB-E1605-00	B - 3	5AD-E4342-00	B - 10	5RN-E4D16-00	B - 10	5PU-F1110-11	C - 6	5BR-F2210-50	C - 11	5EU-F4512-00	C - 14
5HE-E1631-00	B - 3	5AD-E4344-00	B - 10	5PE-E4D43-42	B - 10	5SB-F118N-02	C - 15	4X6-F2216-00	B - 14	5HE-F4710-10	C - 15
5PF-E1633-00	B - 3	4SB-E4357-00	B - 10	5RN-E4G12-30	B - 9	5HE-F1232-00	C - 6	5ME-F3100-11	C - 12	4CU-F4726-00	C - 15
5HE-E1636-00	B - 3	5DU-E4368-00	B - 10	5SB-E4G21-00	B - 9	5BR-F1335-00	E - 7	5ME-F3100-30	C - 12	5HE-F4731-10	C - 15
5BR-E2410-00	B - 2	5EU-E4369-00	B - 9	5SB-E4G23-00	B - 9	5BR-F1336-00	D - 8	5BR-F3108-00	C - 13	5BR-F473R-00	C - 15
5BR-E2422-00	B - 4	5DN-E4369-01	B - 10	5SB-E4G43-31	B - 9		E - 7	5BR-F3110-01	C - 12	3VL-F4741-10	C - 6
5BR-E243A-10	B - 5	4SB-E4377-00	B - 10	5SB-E4G63-00	B - 9	5BR-F1337-00	E - 7	5ME-F3110-30	C - 12	5HE-F4756-00	C - 15
5BR-E2450-00	B - 4	5EU-E4384-00	B - 9	5RN-E4G81-00	B - 9	5BR-F1410-10	C - 6	4TD-F3111-00	C - 12	5BR-F475M-00	C - 15
5BR-E2459-00	B - 4	5EU-E4396-00	B - 9	5SB-E4G85-00	B - 9	5DS-F1481-00	C - 6	5ME-F3111-30	C - 12	5HE-F4773-00	C - 6
5BR-E2460-01	B - 5	5SB-E4410-00	B - 7	5SB-E4G92-00	B - 9	2RN-F1518-00	C - 7	4TD-F3112-00	C - 12	5AD-F4780-00	C - 15
5BR-E2483-00	B - 4	5BR-E4410-01	B - 8	3VL-E5128-00	B - 14	5BR-F152A-10	C - 7	5ME-F3112-30	C - 12	5AD-F4781-00	C - 15
5BR-E2484-10	B - 5	5BR-E4410-20	B - 7	5DN-E5150-00	B - 14	X01-F153A-10	D - 12	5ME-F3113-30	C - 12	5BR-F478E-10	C - 15
5BR-E2485-10	B - 5	3WG-E4411-00	B - 7	4CU-E5317-00	B - 14	5PE-F1556-00-P5	C - 7	5BR-F3126-00	C - 12	4SB-F5117-00	D - 3
5BR-E2486-00	B - 5		B - 8	3VL-E5363-00	B - 15	5PE-F1556-00-PJ	C - 7	5ME-F3126-30	C - 12	5BR-F5168-01	D - 3
5BR-E2487-10	B - 5	3WG-E4412-00	B - 7	3VL-E5371-00	B - 14	5PE-F1556-00-PK	C - 7	5BR-F3136-00	C - 12	5BR-F5170-00	D - 3
5BR-E2490-01	B - 5		B - 8	5BR-E5411-00	B - 14	5WW-F1568-00	D - 12	5ME-F3136-30	C - 12		D - 5
5BR-E2567-01	B - 5	3WG-E4437-00	B - 7	3VL-E5421-00	B - 14	5PE-F1569-00	C - 7	4TD-F3141-00	C - 13	5PU-F5190-00	D - 3
5BR-E2589-10	B - 5	4JC-E4437-00	B - 8	5BR-E5421-00	B - 4	5PE-F1569-20	C - 7	5ME-F3141-30	C - 13	5BR-F5311-00	D - 5
5PE-E3100-00	B - 6	4MJ-E4445-00	B - 11	5BR-E5435-00	B - 14	5PE-F1569-40	C - 7	4TD-F3144-00	C - 12	5BR-F5311-10	D - 5
5BR-E3141-00	B - 6		B - 13	5AD-E5451-00	B - 14	5PE-F1579-00	C - 7	5ME-F3144-30	C - 12	5BR-F532A-00	D - 5

NUMERICAL INDEX

PART NO.	GRID NO.	PART NO.	GRID NO.	PART NO.	GRID NO.	PART NO.	GRID NO.	PART NO.	GRID NO.	PART NO.	GRID NO.
5BR-F5338-00	D - 5	4BX-F8100-00	D - 2	4BE-H2310-00	E - 7	5JH-H3980-02	D - 8	90110-06X03	B - 14	90179-06X00	C - 15
5ME-F580T-10	D - 4	5WJ-F8199-D1	D - 2	5PE-H2370-00	E - 7		D - 10		C - 2		E - 4
5BR-F580V-10	D - 6	5WJ-F8199-E0	C - 15	4CU-H2541-00	C - 2	5SB-H3987-00	E - 5	90110-06X04	B - 4	90179-06X05	B - 12
5MF-F5811-00	D - 4	5WJ-F8199-E1	C - 15	5AD-H2552-00	C - 8	5BR-H3987-01	E - 5		B - 14	90179-07381	B - 2
5BR-F5811-10	D - 6	5WJ-F8199-F0	C - 15		C - 14	5BR-H3992-00	E - 5	90110-06X06	B - 14	90179-25X00	C - 13
4CU-F5824-00	D - 4	5WJ-F8199-F1	C - 15		E - 6	5BR-H4312-01	E - 3	90110-06X07	B - 14	90179-28X00	C - 3
	D - 6	5WJ-F8199-G0	D - 2	5SB-H2590-00	E - 7	4SB-H4314-00	E - 3	90110-06X16	C - 2	90183-05X00	C - 6
4CU-F5825-00	D - 4	5WJ-F8199-G1	D - 2	5WJ-H2590-10	E - 7	5BR-H4320-01	E - 3	90110-06X21	B - 14		C - 7
	D - 6	5SB-F8199-H0	D - 2	5BR-H3310-10	D - 15	4JC-H4340-00	E - 3		C - 2		C - 8
5JH-F5831-00	D - 4	5SB-F8199-H1	C - 15	NDH-H3311-00-01	D - 15	3WW-H4347-00	E - 3	90110-10X00	D - 5		C - 15
	D - 6	5WJ-F8199-P1	C - 15	5BR-H3312-10	D - 15	3HL-H4535-00	E - 4	90111-06X01	C - 6		D - 9
5JH-F5831-10	D - 4	5WJ-F8199-S1	D - 2	5BR-H331N-00	D - 15	5WJ-H4547-00	E - 4		D - 11		D - 11
	D - 6	5BR-F8311-00	D - 11	5BR-H3320-10	D - 15	5BR-H4700-01	E - 4		E - 5		D - 13
5BR-F583T-05	D - 8	5BR-F8328-00	D - 12	5BR-H3322-10	D - 15	5BR-H4726-00	E - 4	90111-10X00	D - 4	90183-06X00	B - 5
5BR-F583V-05	D - 10	5BR-F8328-30	D - 12	5BR-H332N-00	D - 15	5BR-H472F-00	E - 4		D - 6		C - 6
4SB-F5852-10	D - 8	3WV-F8349-10	D - 11	5HE-H3330-00	D - 15	5BR-H4735-00	E - 4	90116-07353	B - 2		C - 15
	D - 10	5BR-F835G-00-P5	D - 11	5HE-H3332-00	D - 15	5ME-H4740-00	E - 4	90149-06X02	B - 7	90185-10154	C - 6
5BR-F5872-51	D - 8	5BR-F835G-00-PF	D - 11	5BR-H3333-00	D - 15	5PU-H4744-00	E - 2	90149-08X02	B - 11		D - 7
5BR-F5873-10	D - 10	5BR-F835G-00-PG	D - 11	5HE-H3333-00	D - 15	5BR-H4754-00	E - 4		B - 13	90185-14150	D - 5
5BR-F5876-00	B - 14	5BR-F835J-00-P7	D - 11	5HE-H3336-00	D - 15	5HE-H5111-00	C - 13	90153-06034	E - 7	90201-05X00	E - 4
5TK-F5876-00	C - 13	5BR-F835J-00-PJ	D - 11	5HE-H333L-00	D - 15	5ME-H553A-01	E - 7	90153-06061	B - 11	90201-06X00	B - 11
5ME-F5919-00	D - 4	5BR-F835J-00-PL	D - 11	5HE-H3340-00	D - 15	5BM-H5540-00	E - 7		B - 13		B - 13
5BR-F5919-10	D - 6	5BR-F836K-01	D - 11	5HE-H3342-00	D - 15	5WJ-H5546-00	E - 7	90154-06808	B - 11	90201-06X01	D - 11
5BR-F6110-00	D - 7	5BR-F837N-00	D - 11	5HE-H3346-00	D - 15	3VL-H5720-10	E - 7		B - 13	90201-06X05	B - 13
5PU-F612E-00	D - 13	5BR-F837N-20	D - 11	5XW-H3350-00	E - 6	5RN-H5741-00	E - 7	90154-06X00	B - 11	90201-06X06	C - 10
5BR-F6143-01-P5	D - 13	5BR-F8385-21	D - 11	5SB-H3371-00	E - 6	5ME-H5752-00	E - 7		E - 7	90201-08X00	C - 11
5BR-F6143-01-PJ	D - 13	5BR-F8385-51	D - 11	5PU-H3510-30	E - 2	4SB-W0001-00	B - 10	90154-06X01	C - 10	90201-08X09	B - 2
5BR-F6145-01	D - 13	5BR-F8385-71	D - 11	5FV-H3517-00	E - 4	4SB-WE419-00	B - 10		C - 13		B - 13
5BR-F6213-00-P6	D - 13	3C6-F8391-00	D - 12	5PU-H3534-00	E - 2	90101-10776	C - 11		E - 6	90201-10X01	D - 5
5BR-F6213-00-P7	D - 13	3C6-F8391-10	D - 12	5PU-H353K-00	E - 2	90105-06841	B - 5		E - 7	90201-10X02	D - 14
5BR-F6240-10	D - 7	3C6-F8391-20	D - 12	5PU-H3546-00	E - 2		D - 15	90154-06X05	B - 11	90201-10X03	D - 8
5BR-F6241-00	D - 7	3C6-F8392-00	D - 12	5PU-H3550-01	E - 2		E - 7	90157-05X02	C - 7		D - 10
5BR-F6246-10	D - 7	3C6-F8392-10	D - 12	5BS-H3605-02	E - 7	90105-06X01	C - 15	90159-05134	D - 13	90201-13X03	C - 3
3VL-F6261-00	D - 7	3C6-F8392-20	D - 12	5BR-H3912-01	D - 8	90105-06X02	C - 15	90159-06093	D - 11	90201-140G5	C - 5
5BR-F6273-00	D - 7	3C6-F8393-00	D - 12		D - 10		D - 9	90167-05X01	C - 8	90201-142M6	D - 5
5BR-F6280-10	D - 13	3C6-F8393-10	D - 12	4SB-H3916-00	D - 8	90105-08121	C - 11		C - 15	90201-155G5	C - 2
5BR-F6290-10	D - 13	3C6-F8393-20	D - 12		D - 10	90105-08X00	D - 4		D - 9	90201-17X00	D - 5
5BR-F6311-00	D - 7	5BM-H1410-00	D - 14	5BR-H3928-00	E - 5		D - 6		D - 11	90202-05X00	D - 11
3VL-F6312-01	D - 7	5BM-H1450-00	D - 14	5BR-H3935-00	D - 8	90105-08X04	B - 15		D - 15	90202-10120	D - 9
3WG-F6329-00	D - 7	5BM-H1800-00	C - 2		D - 10	90105-10036	D - 7		E - 3	90202-26X00	C - 13
5BR-F632G-00	D - 7	5RN-H1960-00	E - 6	4KH-H3936-01	C - 15	90109-06851	E - 6	90167-05X02	C - 7	90208-10012	C - 3
5BR-F6331-00	D - 7	5WJ-H2021-10	C - 8		E - 7	90109-06X00	B - 4		C - 8	90208-14047	C - 5
3VL-F6334-02	D - 7		C - 14	4VU-H3936-01	E - 6	90109-06X05	C - 7		D - 9	90214-13055	C - 3
5ME-F7111-02	D - 9		E - 6	5BR-H3940-00	E - 5		C - 15		D - 11	90240-10137	D - 9
2JW-F7114-10	D - 9	4SB-H2110-00	E - 7	4SB-H3945-00	D - 8	90110-05X01	D - 13		D - 13	90241-10X00	C - 15
5BR-F7433-00	C - 8	4CU-H2110-20	E - 7		D - 10	90110-06X01	B - 14	90170-10219	C - 4	90267-48X02	E - 4
5BR-F7444-00	C - 8	5BR-H2129-00	D - 9	5WJ-H3972-00	E - 5	90110-06X03	B - 7		D - 14	90280-03X00	B - 3
5BR-F7481-01	D - 9	5BR-H2151-00	E - 7	5BR-H3973-10	E - 5		B - 8	90170-10X01	C - 3	90380-15X00	C - 2

NUMERICAL INDEX

PART NO.	GRID NO.	PART NO.	GRID NO.	PART NO.	GRID NO.	PART NO.	GRID NO.	PART NO.	GRID NO.	PART NO.	GRID NO.
90387-06X06	B - 7	91810-14X00	B - 14	99009-15400	C - 2						
	B - 8	92907-06600	B - 7	99009-17400	B - 14						
90387-06X08	B - 11		B - 8	99009-19400	B - 6						
	B - 13	92990-06100	B - 4	99530-12016	B - 14						
90387-10X00	D - 3	93101-10842	B - 4								
90387-135U9	C - 3	93101-20138	B - 3								
90387-156U0	B - 3	93102-17342	C - 3								
90387-178S8	B - 4	93102-20425	B - 3								
90401-10X03	D - 8	93102-22897	C - 5								
	D - 10	93106-20001	D - 3								
90430-08X00	B - 15	93109-33826	C - 3								
90445-05431	B - 6	93210-14X01	B - 15								
90445-096K0	B - 6	93210-23614	C - 2								
90446-13311	B - 14	93210-39X00	C - 3								
90450-16X00	B - 11	93210-548E8	B - 4								
90450-21X01	B - 5	93306-003YC	B - 14								
90450-22X00	C - 14	93306-082Y0	B - 4								
90450-22X02	B - 4	93306-200Y4	C - 5								
90450-23X01	B - 5	93306-203XC	C - 3								
90450-32X02	B - 7	93306-203YF	C - 5								
	B - 8	93306-204X7	B - 3								
90464-10X01	C - 14	93306-300Y8	D - 3								
90464-23X00	B - 12	93310-210X4	B - 3								
90464-50X02	B - 11	93310-257R1	C - 2								
90464-75X00	C - 14	93399-99940	C - 13								
90467-08003	B - 6	93410-06827	C - 3								
	C - 10	93420-40064	C - 5								
90467-09006	C - 14	93440-08130	B - 4								
90467-17800	B - 5	93450-11818	B - 3								
90467-24X00	B - 7	93603-12007	B - 6								
	B - 8	93603-22X00	B - 4								
90468-02033	B - 6	94701-00195	B - 2								
90468-02X00	B - 6	95607-10200	C - 11								
90468-12006	D - 9		D - 3								
90468-15009	D - 7	95607-12200	C - 6								
90480-06874	B - 4	95817-08040	B - 11								
90480-11877	B - 15		B - 13								
90480-11X00	B - 11	95827-08016	C - 6								
	B - 13	9770L-50525	B - 7								
90480-12X00	B - 7		B - 8								
	B - 8	98507-04008	C - 2								
90480-13875	B - 6	98507-05014	B - 6								
90480-13876	B - 6	98507-06010	E - 6								
90501-20X00	C - 15	98507-06016	D - 14								
90501-35X00	C - 3	98507-06020	B - 7								
90506-35X00	D - 9		B - 8								
90508-32609	C - 2	98907-04010	B - 2								
91317-05020	B - 4	98907-05014	B - 6								