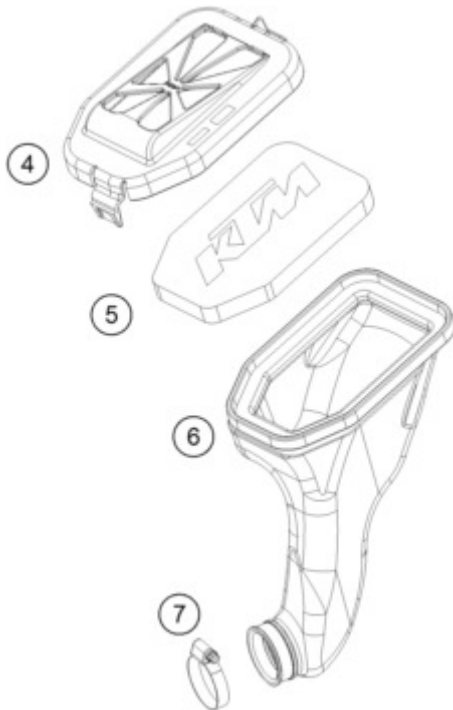




50 SX &lt;2017&gt; &lt;EU&gt; &lt;F6001Q4&gt;

AIR FILTER  
C164520610

Pos	Item Number	Description	Qty
4	45206002000	FILTER BOX COVER 50 SX 09	1
5	45206015000	AIR FILTER 50 SX 09	1
6	45206026000	CARBURETOR CONNECT. 50 SX	1
7	76235028000	HOSE CLAMP GEMI 20-32 MM	1